

ANTHONY
LIFTGATES, INC.®

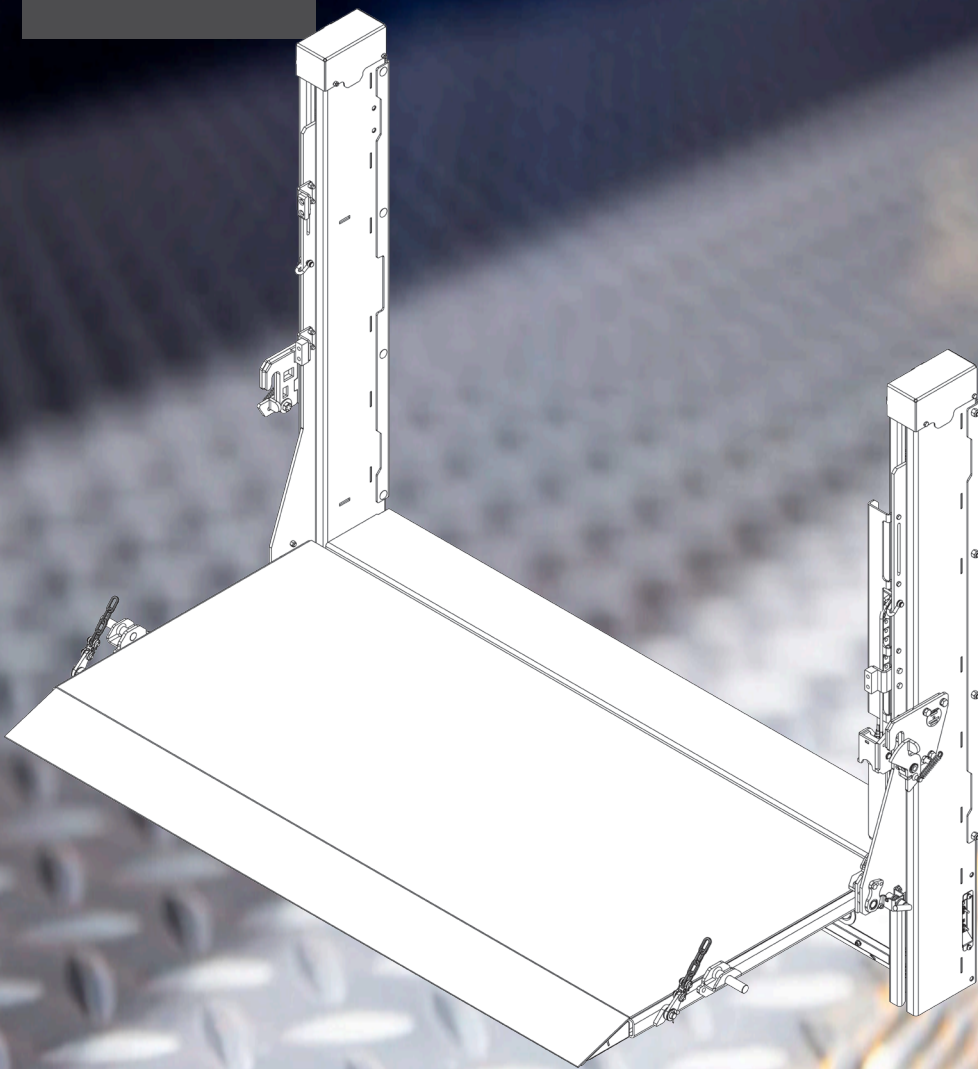
OPERATION MANUAL

Models

DDR-25

DDR-30

DDR-35



QUALITY, RELIABILITY, CUSTOMER SERVICE

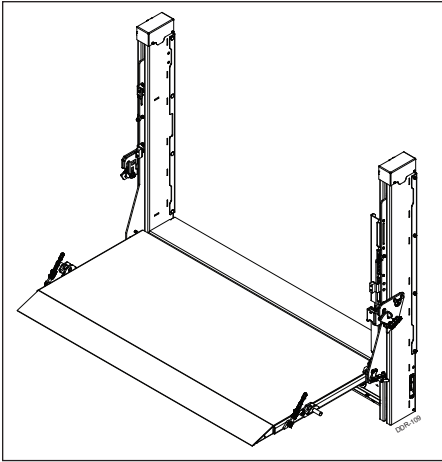


Contents

1. GENERAL INFORMATION	4
1.1 Introduction	4
1.2 Important Operation Notes	5
1.3 Customer Service and Parts	5
1.4 Serial Number and Registration	5
2. SAFETY	6
2.1 Safety is Your Responsibility	6
2.2 Safety Signal Words	6
2.3 General Operating Safety Instructions	7
2.4 Replacement Safety Signs (Decals)	8
3. GENERAL OPERATING RECOMMENDATIONS	9
4. OPERATING INSTRUCTIONS	11

1. General Information

1.1 Introduction



To ensure your Anthony Liftgates DDR™ Medium Duty Rail Liftgate will perform to your expectations, we have provided this Operation Manual, which is designed to provide you with the necessary operating instructions and safety precautions for the operation of the liftgate.

SAFETY INSTRUCTIONS

All users of this liftgate must be at least 18 years old and have read and understood all operation instructions and safety decals before use.

⚠️ WARNING



Read, Understand, and Follow Instructions

To avoid personal injury or death, carefully read and understand all instructions pertaining to this liftgate. Do not attempt to operate this product without fully understanding all of the instructions and safety recommendations.

Do not operate a vehicle or the liftgate unless you read and understand the instructions and warnings in this manual and other related manuals for the vehicle.

If any doubt or question arises about the correct or safe method of performing anything found in this manual, contact Anthony Liftgates. Proper care and operation is your responsibility.

⚠️ WARNING



Crush Hazard

Unsecured loads, when moved on the liftgate, can shift or fall. To prevent personal injury or death, make sure loads are securely fastened to the platform or restrained by cart stops, a retention ramp, or fencing.

1.2 Important Operation Notes

A restraining system may be needed to retain certain types of cargo on the liftgate platform, depending upon the special application, such as a cart stop, retention ramp, fencing, straps, etc. This should be considered by the purchaser for their particular application so as to prevent the possibility of severe personal injury or death due to cargo shifting and/or falling from the liftgate platform.

All users of this liftgate must be 18 years of age and have read and understood all operation instruction booklets and decals before use.

1.3 Customer Service and Parts

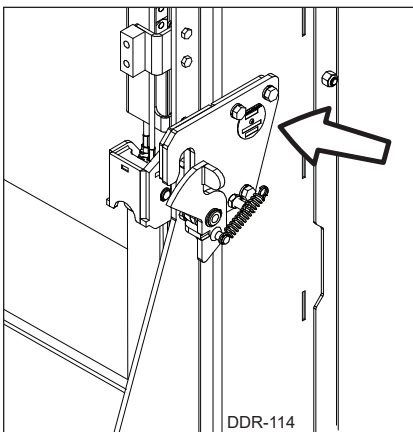
For customer service or ordering replacement parts, contact an authorized dealer by going to www.anthonyliftgates.com and selecting the FIND A DEALER tab. Enter your zip code to find the nearest authorized service location or contact Anthony Liftgates Customer Service at (800) 482-0003.

1.4 Serial Number and Registration

To register your liftgate go to www.anthonyliftgates.com, Customer Service, and then Product Registration.

Before calling with any questions on product information, have the serial number, model number, and liftgate capacity of your liftgate available. This information is on the liftgate and will help us verify your information and serve you best.

In the provided space below, record the serial number, model number, and load capacity for easy reference when contacting Anthony Liftgates Customer Service with any questions.



Serial Number Information	
Serial No.	
Model No.	
Liftgate Capacity	lbs
Installation Date	

2. Safety

2.1 Safety is Your Responsibility



It is the responsibility of the user to understand and properly use this liftgate. Be aware of the inherent dangers in the use of this product. Read and understand all Warnings, Cautions, Notices, and Safety Instructions in this manual, on the liftgate, or on the vehicle.

Accidents can often be avoided by being alert and recognizing potentially hazardous situations. Anyone operating the liftgate must have the necessary training to operate it properly and safely. The safety information in this manual serves as a basic guide to prevent injury or even death.

Anthony Liftgates cannot anticipate every possible circumstance that might involve a potential hazard. ***The identification of hazardous situations in this manual and on the product itself is, therefore, not all-inclusive.*** If procedures or operating techniques that are not specifically mentioned by Anthony Liftgates are used, you must satisfy yourself that they are safe for you and for bystanders. Make sure the liftgate or vehicle that it is interacting with will not be damaged or made unsafe by any operating method you choose.

DO NOT proceed if any doubt arises about the correct or safe method of performing anything found in this or other related equipment manuals. If in doubt, seek out expert assistance from a qualified person before continuing.

2.2 Safety Signal Words



Personal injury hazards are identified by the “Safety Alert Symbol” and followed by a signal word such as WARNING or CAUTION to indicate the severity of the hazard.



This safety alert icon surrounds an image showing a specific type of injury that should be avoided.



Indicates a potentially hazardous situation that, if not avoided, **COULD** result in death or serious injury.



Indicates a potentially hazardous situation that, if not avoided, **MAY** result in injury.



Indicates that equipment or property damage can result if instructions are not followed.



Indicates specific safety-related instructions or procedures.

Note: Contains additional information important to a procedure.

2.3 General Operating Safety Instructions

⚠ WARNING Failure to comply with the following safety instructions could result in serious injury and possibly even death if they are not understood and followed.



Read, Understand, and Follow all related product manuals.



Do not attempt to install replacement parts under the influence of drugs or alcohol.



Do not use this liftgate for any other purpose than its intended use of loading and unloading cargo from the bed of a truck.



Do not overload the platform. The maximum rated capacity is based on an evenly distributed load on the platform's flat surface.



Do not stand inside or under the platform's work area while operating the liftgate, due to the potential for shifting or unstable loads on the platform.



Do not go under the liftgate while it is in a raised position. Accidental lowering could cause serious crushing injuries. Do not place any object under the liftgate work area.



Immediately clean up any spilled fluid on the liftgate platform. To avoid tripping, do not leave anything lying on the platform or around the work area.



Do not allow children to play on/around or operate the liftgate.

⚠ CAUTION The following safety instructions are provided to help prevent potential injury. Not following these instructions may result to injury.



Anthony Liftgates recommends not riding on the platform when it is raising or lowering a load. If, however, conditions require it, make sure you stand away from the edge, and your footing is stable. When operating the liftgate from the ground, always stand to the side on the side of the truck, as shown.











Do not place hands or feet in pinch points, between the platform and the platform extension, or under the edge of the liftgate.



Always apply the truck's parking brake and remove the ignition key before operating the liftgate.

**SAFETY
INSTRUCTIONS**

The following safety instructions are provided to help prevent injury or limit equipment damage.

-  Do not allow the liftgate to be used by persons unfamiliar with its operation.
-  Visually inspect the liftgate before use to make sure all parts are in good working condition and operate freely. Have any damaged parts replaced immediately.
-  To prevent possible injuries due to improper operation, make sure all decals are attached to the liftgate and/or vehicle and are legible at all times.
-  Always use three points of contact during ingress or egress of the vehicle.
-  Make sure the area in which the platform will operate is clear before raising or lowering the platform.
-  Always place the load as close to the center of the platform as possible and as close to the vehicle as possible.
-  Only operate the liftgate with the switch controls provided.
-  Do not operate lift trucks on or over any part of the platform.

2.4 Replacement Safety Signs (Decals)



**SAFETY
INSTRUCTIONS**

To prevent personal injury of the end user from not being aware of safety

recommendations, the owner/operator must make sure all decals are attached to the liftgate and truck and are legible.

To ensure the greatest level of safety, all decals must be attached to specified replacement parts and be legible at all times. Remember, it is the users' or maintenance personnel's responsibility to make sure these decals are attached to the replacement parts.

For service or ordering replacement parts, contact an authorized dealer by going to www.anthonyliftgates.com and selecting the FIND A DEALER tab. Enter your zip code to find the nearest authorized service location.

3. General Operating Recommendations

The following is a list of Do's and Do Nots for the operation of the liftgate.

✓ Do's

- ✓ Read and follow warning decals, operating decals, and Owner's manual(s).
- ✓ Keep all decals in place and legible and retain the owner's manual in the vehicle or all Warranties are void.
- ✓ Make sure the vehicle is properly and securely parked before using the liftgate.
- ✓ Keep clear of all moving parts.
- ✓ Make sure the area in which the platform will travel is clear before opening, closing, raising, or lowering the platform.
- ✓ Make sure the platform area, including the area in which loads may fall from the platform, is clear before, during, and at all times while operating the liftgate.
- ✓ Always place the load as close to the center of the platform as possible.
- ✓ Also, position the load as close to the center of the truck's rear sill as possible.
- ✓ Make sure the liftgate operates with no unusual noise or vibration.
- ✓ Check the oil level in the hydraulic tank(s) monthly.
- ✓ Change the oil with the correct hydraulic fluid, if it is contaminated or dirty. For cold weather operation, we recommend Hyken Glacial Blue for the main liftgate pump.
- ✓ Visually inspect the liftgate frequently and keep it properly adjusted.
- ✓ Visually inspect the lift cylinders and replace them if signs of wear or damage are present.
- ✓ Repair any damage to the liftgate to prevent accidents.
- ✓ Place the liftgate into the storage position with the platform latches (TRAVELING position) when the liftgate is not in use.

× **Do Nots**

- × Do not overload the platform. The maximum rated capacity is based on an evenly distributed load on the platform's surface.
- × Do not ride on the liftgate. Always stand clear of the liftgate when it is operating. Do not allow children to play around or operate the liftgate.
- × Do not allow your liftgate to be used by persons not familiar with its operation.
- × Do not use your liftgate if it shows signs of abuse or fails to operate freely and smoothly.
- × Do not allow the motor/pump to run after the liftgate is fully raised and has stopped moving.
- × Do not bounce the platform by pushing and releasing the control button/switch abruptly.
- × Do not use the liftgate for anything other than its intended use of loading and unloading cargo.
- × Do not operate lift trucks on or over any part of the platform.
- × Do not stand under or place any object under the liftgate work area.
- × Do not operate the liftgate with the housing cover removed.
- × Do not drive the truck unless the liftgate is in the stored position and the latch pins are secured with the latch brackets (TRAVELING position).

4. Operating Instructions

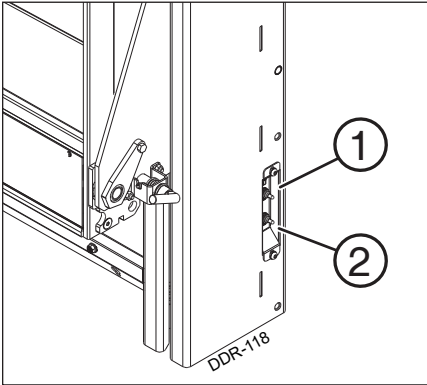
Anthony Liftgates strongly recommends the installation of an optional cut-off switch. This switch prevents accidental or unauthorized use of the liftgate by disconnecting power between the battery and the power unit.

WARNING



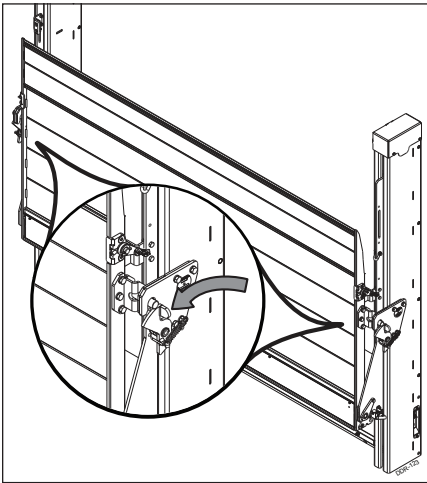
Make sure the area in which the platform will open and close, and move up and down, is free of obstructions or people before operating the liftgate.

1.



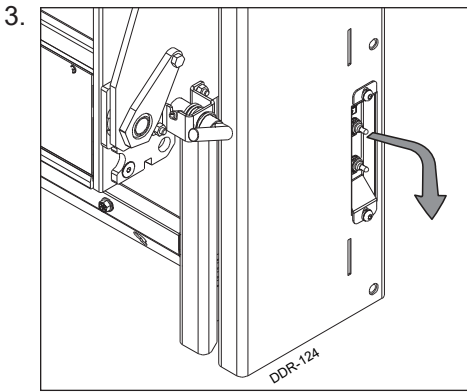
Depending on the assisted platform open option, the switch at the curbside location may have two control switches; the Up / Down Switch (1) and the Open / Close Switch (2).

2.

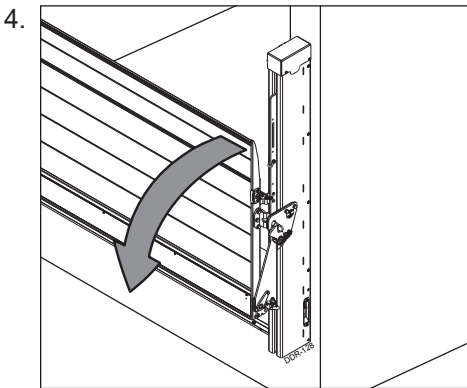


Release the curbside and streetside latches. The latches will remain unlatched until the platform is lowered.

Note: *The latches will automatically relatch every time the liftgate is raised into the TRAVEL position and must be released before operating the liftgate.*



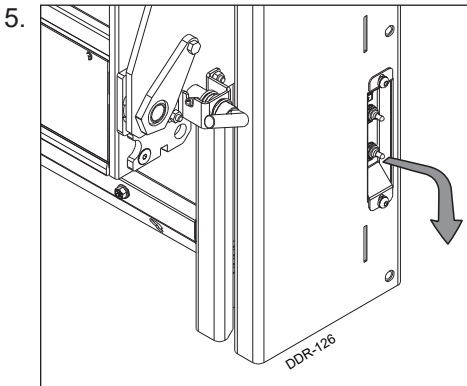
Lower the platform using the raise / lower switch on the curbside of the platform.



Unfold the platform.

a. Manual Option

- Lower the platform to a height where it is easy to grasp the upper right-hand corner.
- Manually pull the platform outward while standing to the side.

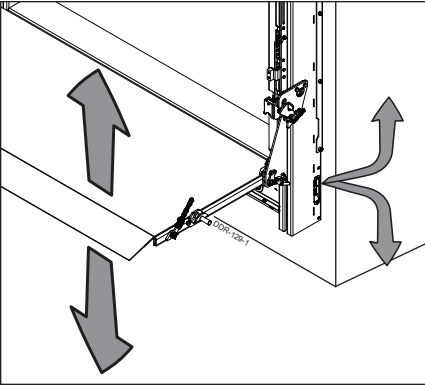


Unfold the platform.

b. Hydraulic Option

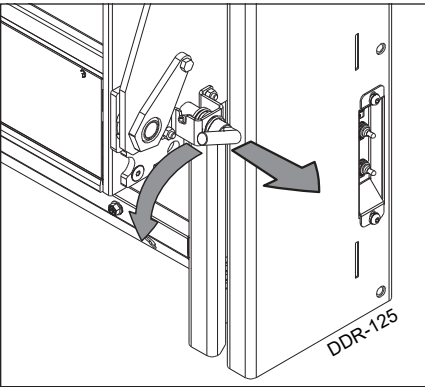
- Standing to the side of the liftgate, hold the control switch in the open position until the platform is fully opened.

6.



Lower the platform or raise, as needed.

7.



To stow the liftgate platform, first release the spring-loaded platform lock by pulling outward and rotating until the spring pin is securely in the lock notch. Then close the platform and run upward until it is latched in the column latches.”



ANTHONY
LIFTGATES, INC.®

1037 West HOWARD ST.

P.O. BOX 615

PONTIAC, IL 61764-0615

PH: 815-842-3383

FAX: 815-844-3612

TOLL FREE: 800-482-0003

WWW.ANTHONYLIFTGATES.COM

**THE ORIGINAL NAME IN LIFTGATES -
SINCE 1941**

Form No. L-205-OM (6-24)