

ANTHONY
LIFTGATES, INC.®

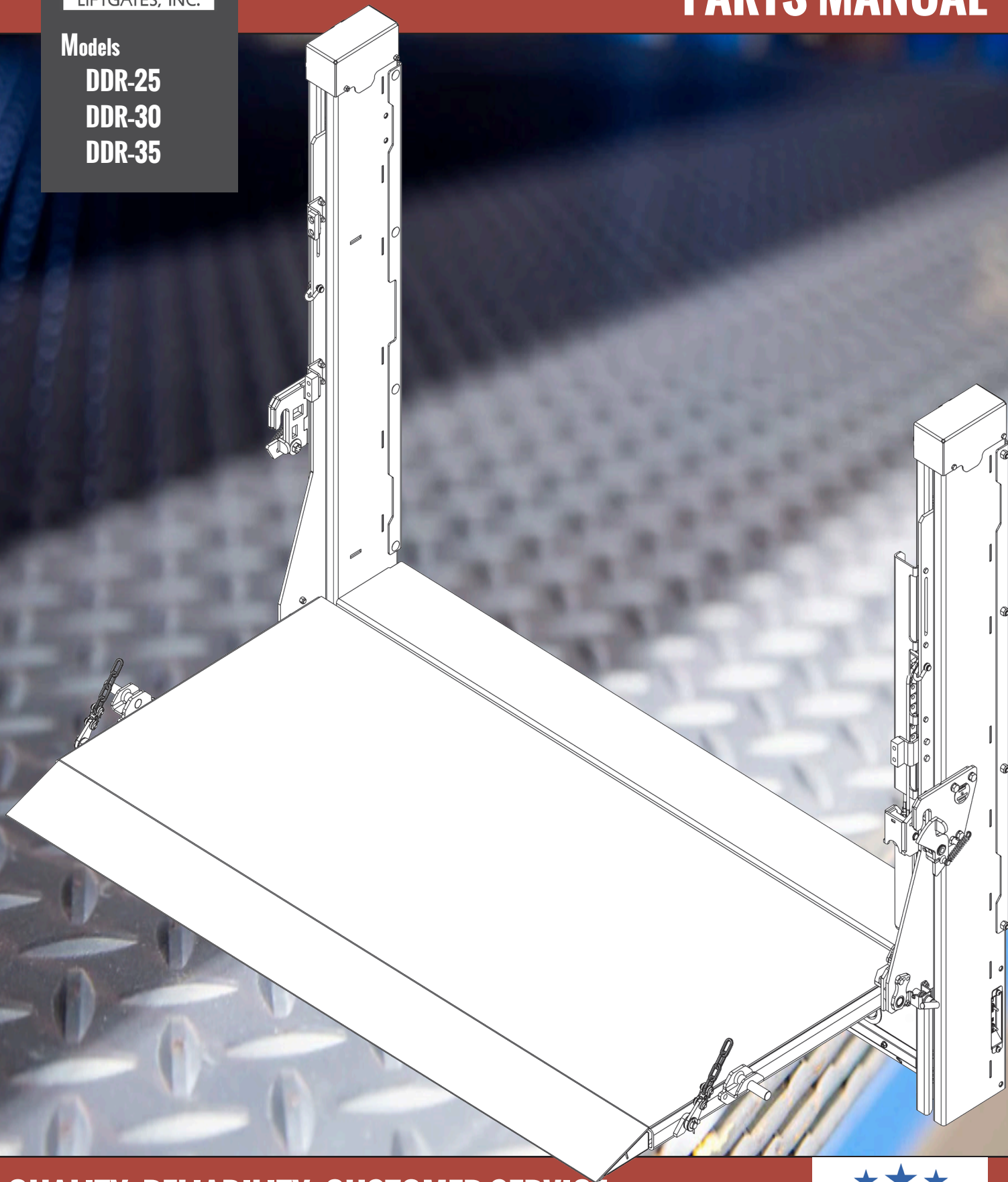
PARTS MANUAL

Models

DDR-25

DDR-30

DDR-35



QUALITY, RELIABILITY, CUSTOMER SERVICE



Contents

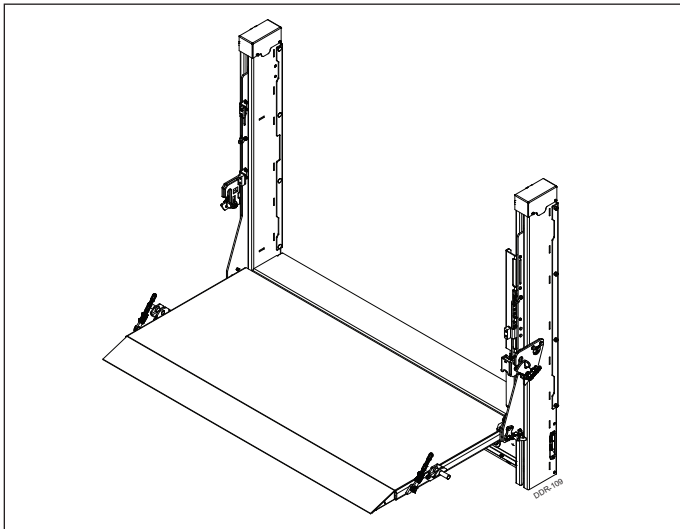
1. GENERAL INFORMATION	4
1.1 Introduction	4
1.2 Assistance	4
1.3 Serial Number	4
1.4 Replacement Safety Signs (Decals)	4
2. SAFETY	5
2.1 Safety is Your Responsibility	5
2.2 General Safety Rules	5
3. REPLACEMENT PARTS	6
3.1 H-Frame Assembly	6
3.2 H-Frame Assembly (continued)	8
3.3 DDR Platform Anti-Tip Latch	10
3.4 DDR Bolt-On Kit (Standard And Stainless Steel) (Truck Side)	11
3.5 DDR Hydraulic System	12
3.6 DDR Hydraulic System Power Open/Close	14
3.7 Power Unit	16
3.8 A-130117 Power Pack Unit, Complete, Power Down	17
3.9 A-160499 Power Unit - DDR Power Open/Close	18
3.10 DDR Platform (Steel)	19
3.11 DDR Platform (Aluminum)	20
3.12 DDR Switches	22
3.13 DDR Decals	23
3.14 DDR Wiring And Miscellaneous Accessories	25

1. General Information

1.1 Introduction

Congratulations on selecting an Anthony DDR RailTrac™ Liftgate. Anthony Liftgates are among the finest liftgates available on the market today and are factory-assembled, energized, and tested to ensure the highest quality performance standards. DDR Liftgates ship completely assembled for fast, clean, and easy installation.

To ensure your liftgate will perform to your expectations, we have provided this Parts Manual, which is designed to provide you with the necessary part numbers for the maintenance of the DDR RailTrac™ liftgates.



1.2 Assistance

Anthony Liftgates manufactures high-quality liftgates that require very little maintenance or repair. However, should a part break, become damaged, or need replacement due to normal part wear, our knowledgeable dealers can make sure you receive the part(s) to put your liftgate back into operation.

To find the most current version of all reference material or for additional information, refer to the Anthony Liftgates website at www.anthonyliftgates.com.

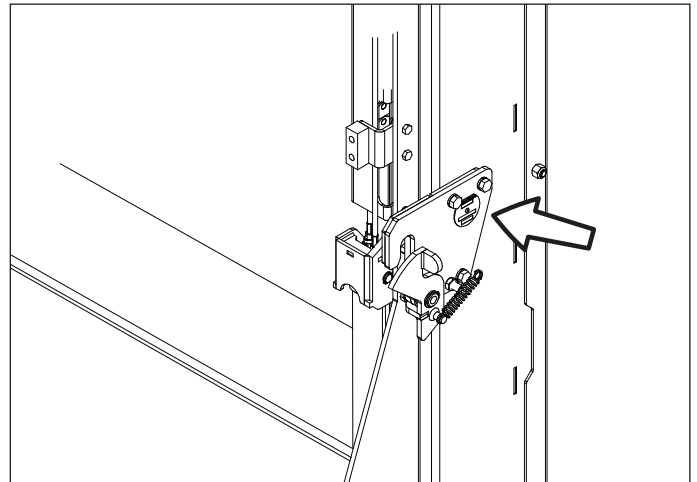
If you have any doubts or questions, call us. Before doing so, have the serial number, model number, and lift capacity of your liftgate available.

Anthony Liftgates, Inc.
1037 West Howard Street
Pontiac, Illinois 61764
(815) 842-3383 or 800-482-0003

1.3 Serial Number

Before calling for warranty or other product information, have the serial number, model number, and lift capacity of your liftgate available. This information is stamped into the identification plate on the side of the rail and will help us verify your warranty information and your specific liftgate.

Record the serial number, model number, date of installation, and load capacity in this manual for easy reference when contacting your authorized dealer with questions.



Serial Number _____

Model Number _____

Installation Date _____

Load Capacity _____

1.4 Replacement Safety Signs (Decals)



SAFETY INSTRUCTIONS

To prevent personal injury of the end user from not being aware of safety recommendations, the owner/operator must make sure all decals are attached to the liftgate and truck and are legible.

To ensure the greatest level of safety, all decals must be attached to specified replacement parts and be legible at all times. Remember, it is the users' or maintenance personnel's responsibility to make sure these decals are attached to the replacement parts.

For service or ordering replacement parts, contact an authorized dealer by going to www.anthonyliftgates.com and selecting the FIND A DEALER tab. Enter your zip code to find the nearest authorized service location.

2. Safety

2.1 Safety is Your Responsibility

It is the responsibility of the maintenance personnel to understand proper installation of repair parts and operating procedures. Be aware of the inherent dangers in the use of this product and the tools used to install any repair parts. Read and understand all Warnings, Cautions, Notices, Safety Instructions, and Notes in this manual, on the liftgate, or on the truck.

Also, refer to the Installation or Operation Manuals for a more complete list of safety topics.

2.2 General Safety Rules

WARNING Failure to comply with the following safety instructions could result in serious injury and possibly even death if they are not understood and followed.



Manuals

Read, Understand, and Follow all related product manuals.



Do not work under the liftgate while it's in a raised position. Failure of the liftgate's structural components, while replacing parts, could cause serious crushing injuries.



Impaired User Hazard

Do not attempt to install replacement parts under the influence of drugs or alcohol.



Damaged Parts Hazard

Do not install a replacement part if it's damaged. If you believe the part has a defect, which could cause it to work improperly, you should immediately stop the installation and remedy the problem before continuing.

CAUTION

The following safety instructions are provided to help prevent potential injury. Not following these instructions may lead to injury.

Personal Protection Equipment

When maintaining the liftgate, wear a suitable protective device, such as safety glasses to protect against possible sight loss when operating or repairing equipment. Also wear other appropriate personal protective equipment which may include, but is not limited to:



- Protective shoes with slip-resistant soles
- Protective eyewear
- Protective clothing and gloves
- Hearing protection



Anthony Liftgates recommends not riding the platform; however, if the operation requires it, make sure your footing is stable before raising or lowering the platform. Always stand away from the edge. When on the ground, always stand clear of the platform when it is operating.



No Unauthorized Modifications
Do not modify the liftgate or its safety devices. Do not weld on the unit. Unauthorized modifications may affect the unit's function, or create safety hazards.



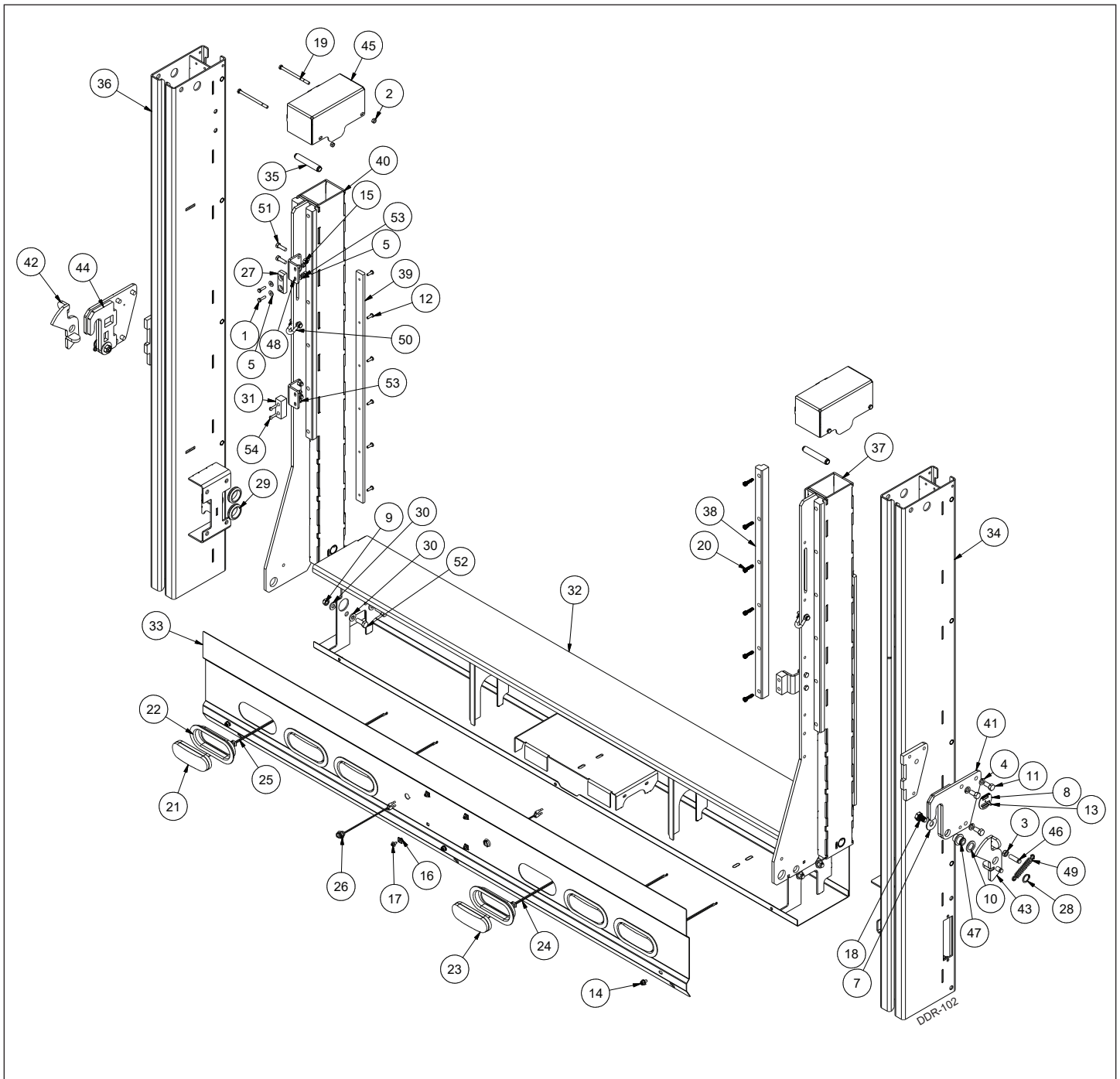
Make sure the liftgate or truck will not be damaged or made unsafe by the installation of the replacement part. Replacement parts should only be installed by a qualified installer having installation knowledge and skill.



Always use genuine, factory OEM replacement parts to restore the liftgate to its original specifications. Anthony Liftgates will not accept responsibility for damages as a result of using unapproved parts. If non-OEM replacement parts are used, the warranty will be voided.

3. Replacement Parts

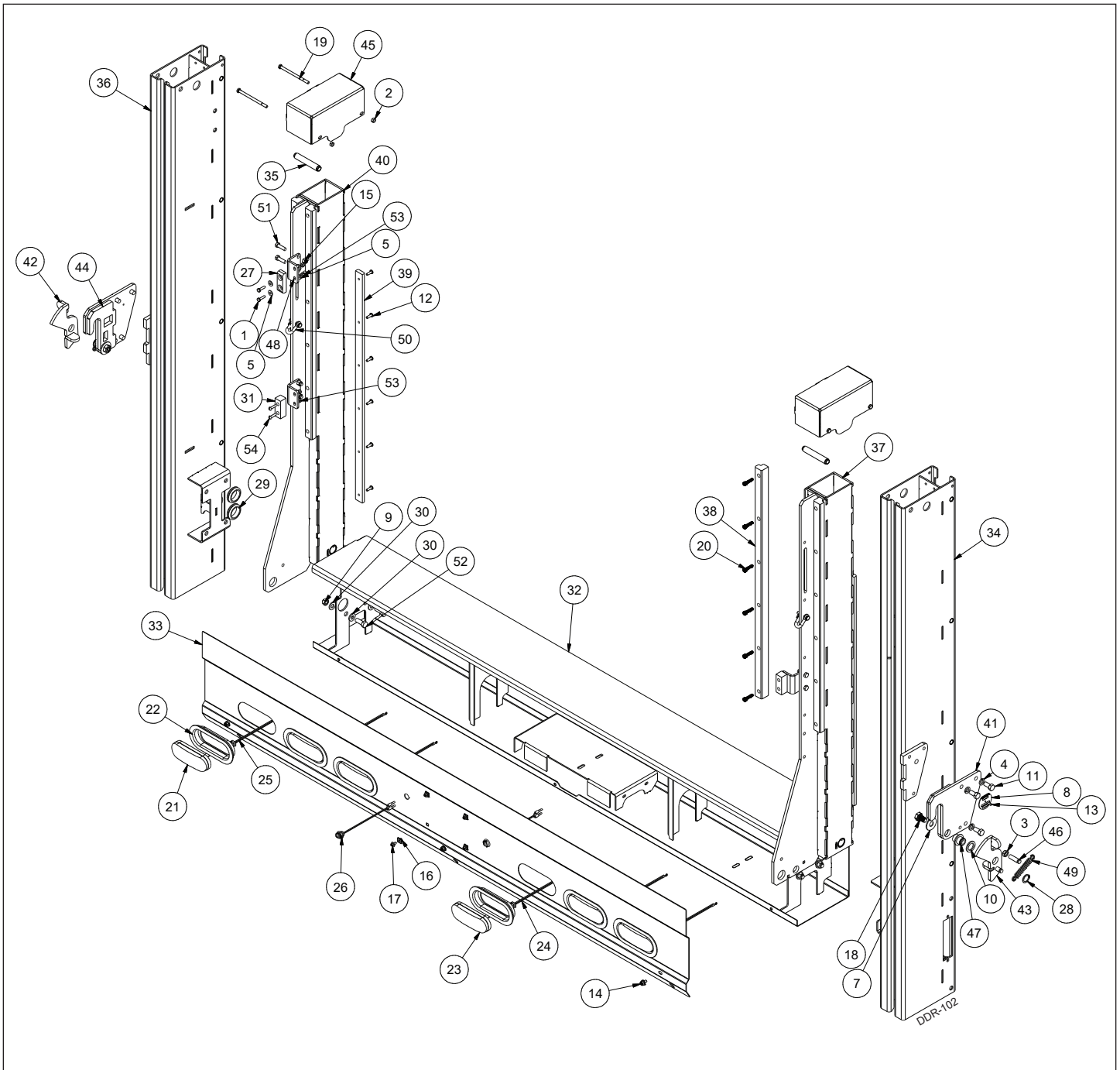
3.1 H-Frame Assembly



Item	Part Number	Description	Qty.
1	718	1/4-20 X 1" HCS GR8 ZP	2
2	862	5/16-18 LOCKNUT	4
3	880	1/2-13 HEX JAM NUT GR8 ZP	2
4	1691	1/2" LOCK WASHER	6
5	2051	1/4" F/W ZP	4
7	8610	5/8" ID X 1-7/8" ID WASHER ZP	2
8	A-131022	ANTHONY SERIAL NUMBER TAG	1
9	A-132024	1/2-13 LOCKNUT	8

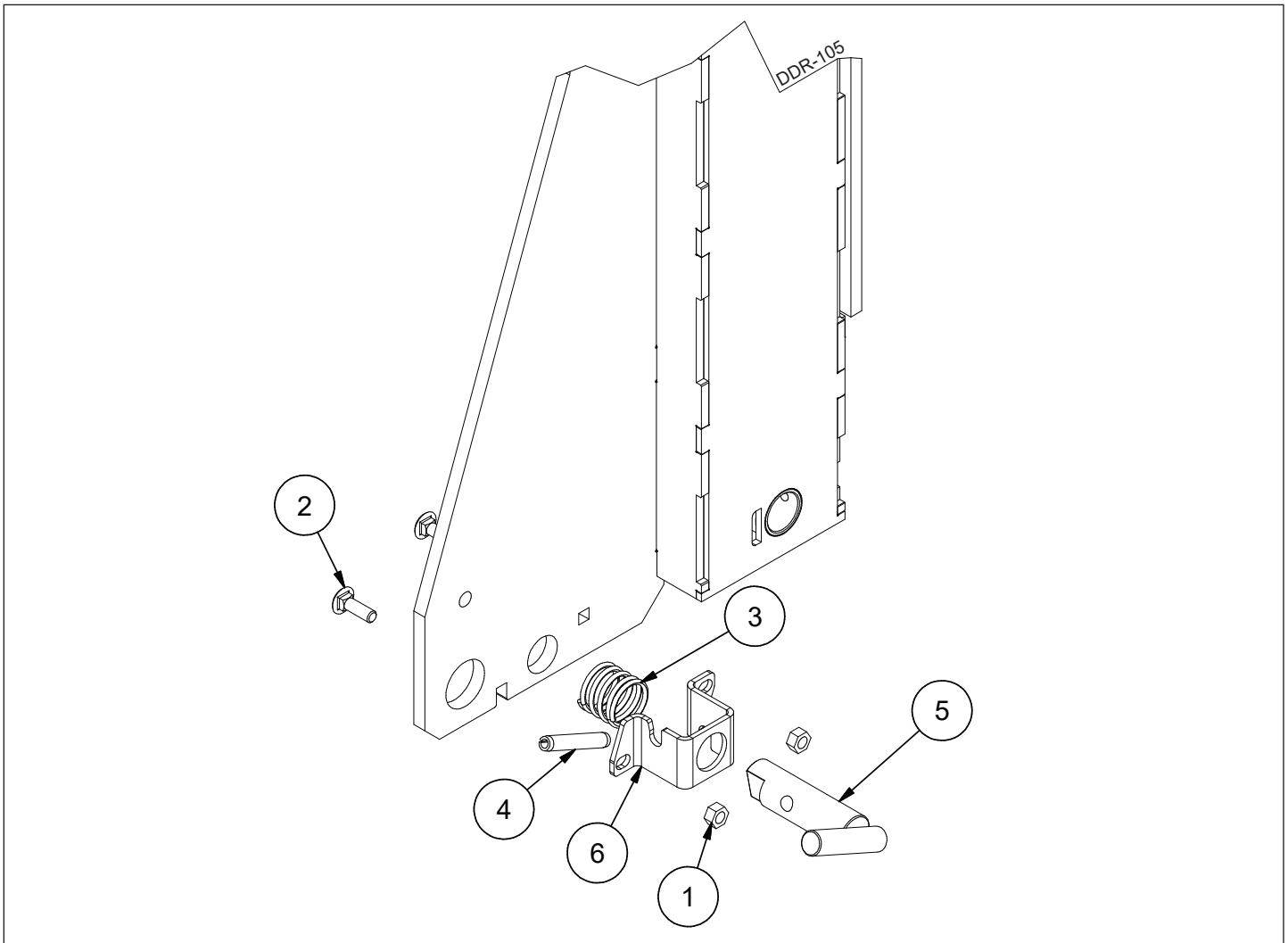
Item	Part Number	Description	Qty.
10	A-132060	1 X 1-1/2 X 1/8 THRUST WASHER	2
11	A-132085	1/2-13 X 1.0 GR8 HEX BOLT	6
12	A-132490	1/4 IN. BLIND RIVET	24
13	A-132094	3/16" DIA. ALUM. RIVET, 1/2-5/8" GRIP	1
14	A-132095	5/16-18 X 1/2" FLANGE BOLT GR.8.2 ZP	3
15	A-132364	3/8-16 NYLOCK NUT GR5 ZP	6
16	A-132437	LICENSE PLATE NUT	4
17	A-132438	LICENSE PLATE SCREW	4
18	A-132473	5/8-11 X 1" H/H C/S GR8 YZP	2
19	A-132477	5/16-18 X 5" H/H C/S GR5 ZP	4
20	A-132483	5/16-18 X 1.25 S/C/S ZP	24
21	A-133654	6" RED OVAL STT 1LED LIGHT (STL002RB)	4
22	A-133655	6" OVAL LIGHT GROMMET (A70GB)	6
23	A-133656	6" CLEAR OVAL BU 1LED LIGHT (BUL002CB)	2
24	A-133657	PL-3 (STR) 2-PIN HARNESS FOR BU LIGHTS	2
25	A-133658	PL-3 (STR) 3-PIN HARNESS FOR STT LIGHTS	4
26	A-133670	LICENSE PLATE LIGHT (LPL12CK2PG)	2
27	A-140090	WEAR PAD/BUMPER	1
28	A-150060	1" EXT HD RETAINING RING ZP	2
29	A-150062	MILITARY STANDARD GROMMETS 3/16 GROOVE	14
30	A-150065	1/2" SAE F/W 17/32" ID X 1-1/16" OD ZP	16
31	A-155037	BUMPER PAD	2
32	A-160340 A-160340-G A-160397 A-160397-G	HOUSING W/M - 96" DDR HOUSING W/M - 102" DDR	1
33	A-160347 A-160347-G A-160402 A-160402-G A-160401 A-160401-G A-160349 A-160349-G A-160396 A-160396-G A-160350 A-160350-G	HOUSING COVER- 96" FOREIGN CHASSIS (6 LIGHTS) HOUSING COVER- 102" FOREIGN CHASSIS (6 LIGHTS) HOUSING COVER-102" DOMESTIC CHASSIS (4 LIGHTS) HOUSING COVER-96" DOMESTIC CHASSIS (4 LIGHTS) HOUSING COVER-102" BLANK - NO LIGHTS HOUSING COVER-96" BLANK - NO LIGHTS	1
34	A-160351 A-160351-G	COLUMN W/M - RH	1
35	A-160357-P	COLUMN ASSEMBLY SPACER	2
36	A-160359 A-160359-G	COLUMN W/M - LH	1
37	A-160363 A-160363-G	DDR RUNNER W/M - RH	1
38	A-160386	WEAR STRIP REAR, UHMW	4
39	A-160387	WEAR STRIP FRONT, UHMW	4

3.2 H-Frame Assembly (continued)



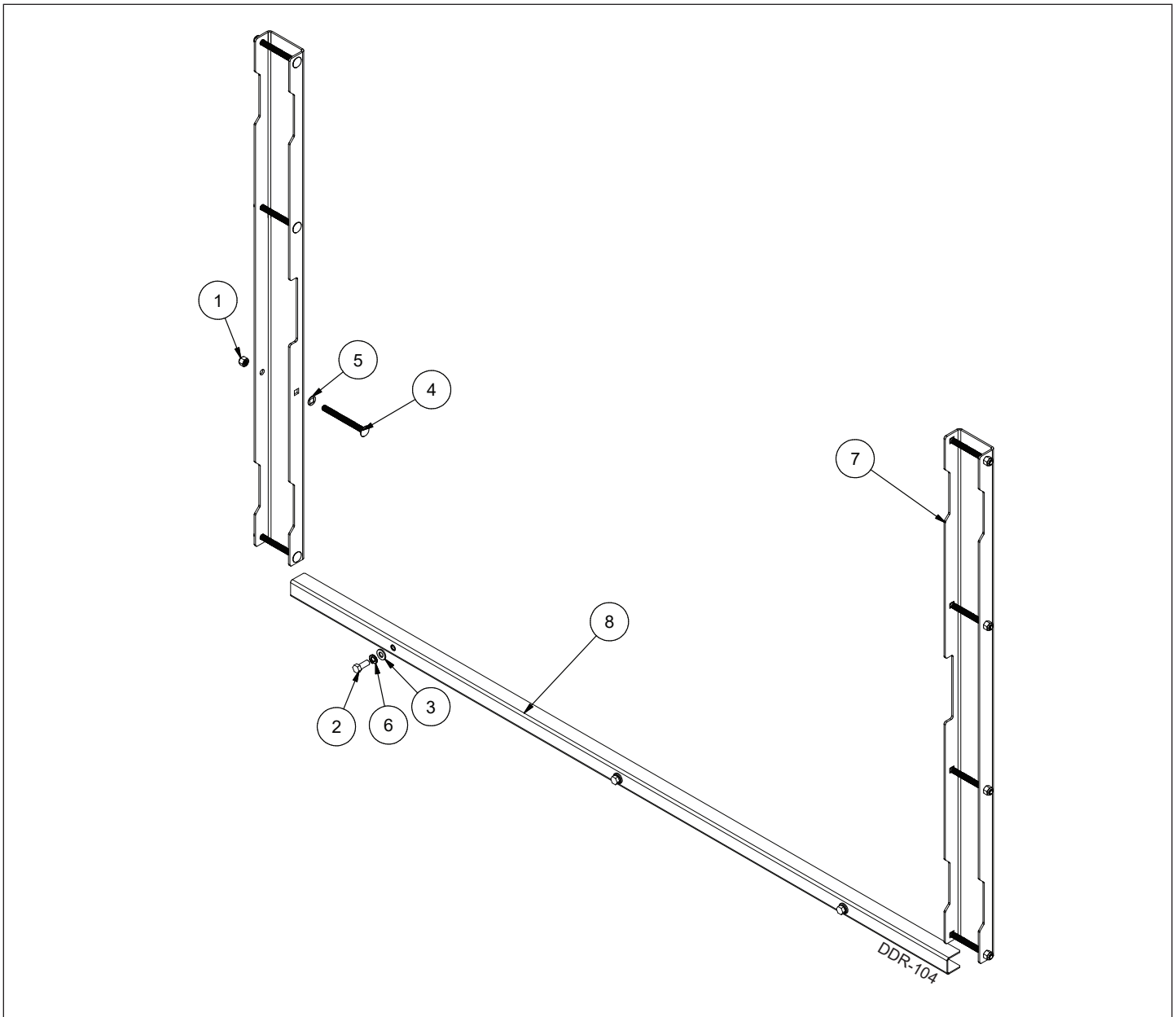
Item	Part Number	Description	Qty.
40	A-160388 A-160388-G	DDR RUNNER W/M - LH	1
41	A-160404 A-160404-G	COLUMN LATCH PLATE W/M - RH	1
42	A-160405 A-160405-P	LATCH W/M - LH	1
43	A-160406 A-160406-P	LATCH W/M - RH	1
44	A-160409 A-160409-G	COLUMN LATCH PLATE W/M - LH	1
45	A-160418 A-160418-G	COLUMN CAP WELDMENT	2
46	A-160436	LATCH PLATE SPRING PIN-THREADED	2
47	A-160437	LATCH PIVOT PIN-THREADED	2
48	A-160446 A-160446-G	PLATFORM STOP BRACKET	3
49	A-176497	EXTENSION SPRING	2
50	AR-18-80	SHACKLE	2
51	ATU-247	3/8-16 X 1.25" HEX BOLT	6
52	ATU-260	1/2-13 X 1.25 GR8 HEX BOLT	8
53	ATU-359	1/4-20 TOP L/N GR. C ZP	6
54	S-047004	1/4-20 X 1" SLOTTED RDHD M/S ZP	4

3.3 DDR Platform Anti-Tip Latch



Item	Part Number	Description	Qty.
1	862	5/16-18 LOCKNUT	2
2	A-132476	5/16-18 X 1" CARRIAGE BOLT GR5 YZP	2
3	A-132478	COMPRESSION SPRING: 1.313OD X 1.063ID X 1.25"LG	1
4	A-132479	ROLL PIN (SLOTTED): 3/8 X 2.25	1
5	A-160442	LATCH PIN W/M (ANTI-TIP)	1
6	A-160443 A-160443-P	LATCH BODY (ANTI-TIP)	1

3.4 DDR Bolt-On Kit (Standard And Stainless Steel) (Truck Side)

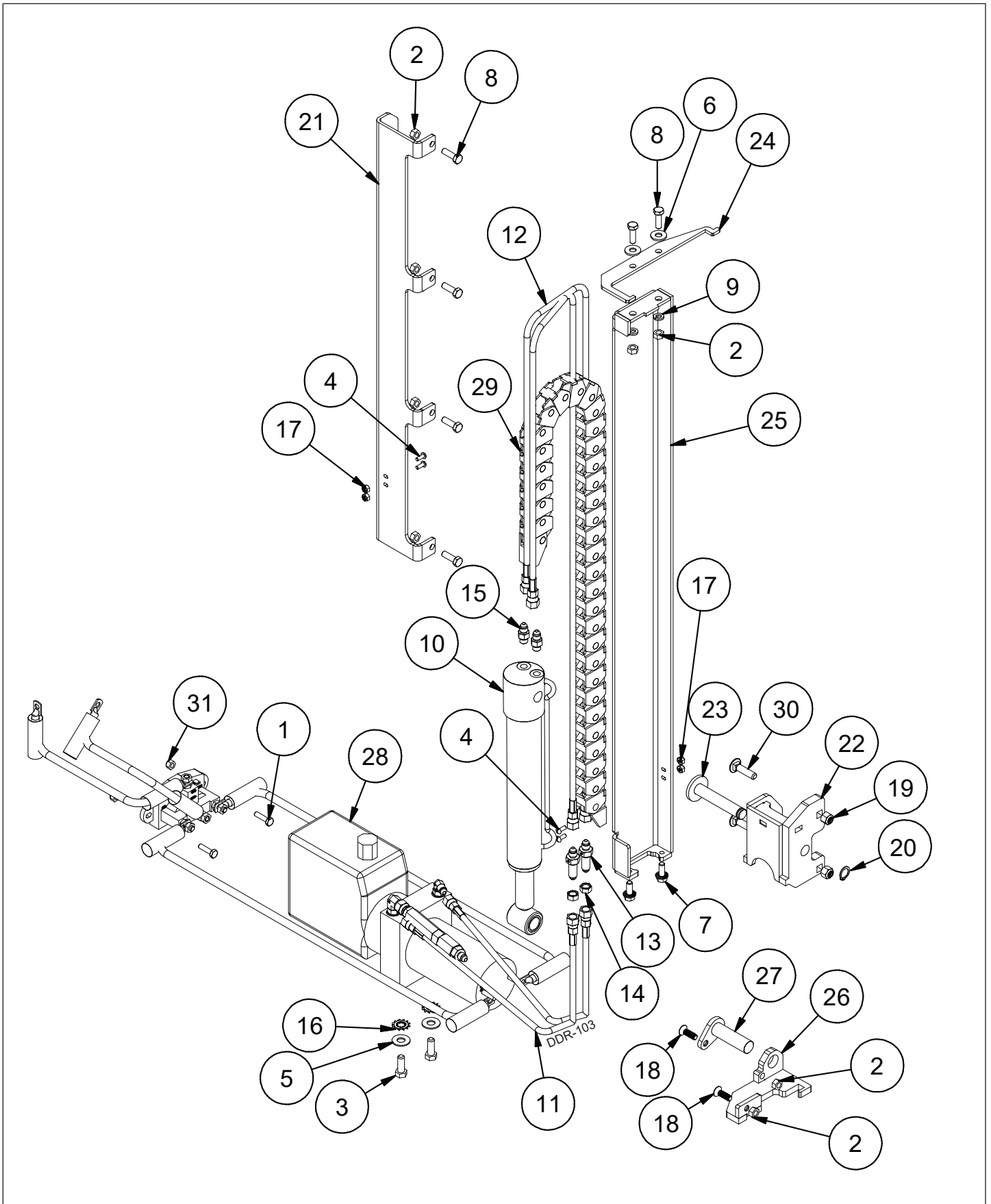


Item	Part Number	Description	Qty.
—	A-160504	BOLT-ON KIT - 96" OR 102"	—
1	A-132301	1/2-13 NYLOCK GR8 NUT ZP	8
2	A-132085	1/2-13 X 1.0 GR8 HEX BOLT	3
3	A-150065	1/2" SAE F/W 17/32" ID X 1-1/16" OD ZP	3
4	A-132474	1/2-13 X 5.5" CARRIAGE BOLT GR8 ZP	8
5	A-132480	CARRIAGE BOLT WASHER: .555 X 1.0D X .06 ZP	8
6	1691	1/2" LOCKWASHER	3
7	A-160374	BOLT ON CHANNEL-COL.	2
8	A-160392	BOLT ON CHANNEL W/M-HOUSING (TRUCKSIDE)	1

Item	Part Number	Description	Qty.
—	A-160504-SS	BOLT-ON KIT - 96" OR 102" (STAINLESS STEEL)	—
1	A-132301	1/2-13 NYLOCK GR8 NUT ZP	8
2	A-132374	1/2-13 X 1.25 HEX BOLT, 18-8 SS	3
3	A-132375	1/2" SAE F/W 18-8 SS	3
4	A-132474	1/2-13 X 5.5" CARRIAGE BOLT GR8 ZP	8
5	A-132480	CARRIAGE BOLT WASHER: .555 X 1.0D X .06 ZP	8
6	A-132486	1/2" L/W 18-8 SS	3
7	A-160374-SS	BOLT ON CHANNEL-COL.	2
8	A-160392-SS	BOLT ON CHANNEL W/M-HOUSING (TRUCKSIDE)	1

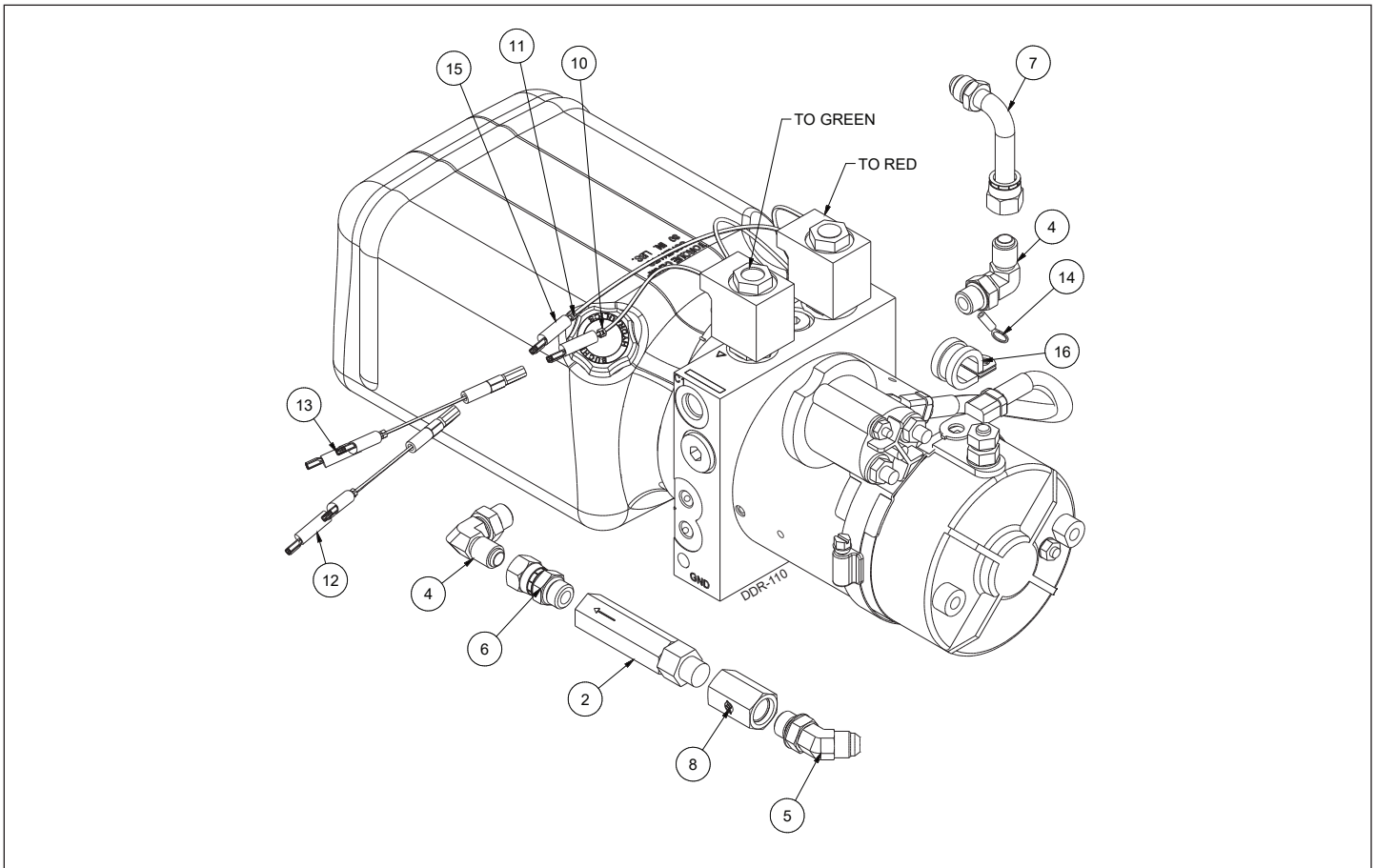
Item	Part Number	Description	Qty.
1	2029	1/4-20 FLANGED L/N ZP	8
2	2058	3/8 FLAT WASHER	2
3	874	3/8-16 X 1" H/H C/S GR.8 ZP	2
4	A-130198	FITTING: 06MORB-06MJ STRAIGHT	4
5	A-130412	DDR CYLINDER ASSY, SLAVE 2.25" BORE X 1.25" ROD	1
6	A-130413	DDR CYLINDER ASSY, MASTER 2.015" BORE X 1.00" ROD	1
7	A-130472	FITTING TUBE-LONG 06FJS-06FJS	2
8	A-130473	FITTING TUBE-SHORT 06FJS-06FJS	2
9	A-130480	HOSE - 3/8" X 120", 06FJS-06MJ	4
10	A-132011	3/8" EXT HD STAR L/W ZP	2
11	A-132384	1/4-20 X 3/4 BH S/C/S ZP	8
12	A-132481	#6 CABLE CLAMP: 3/8" (SNUG FIT, SS/NEOPRENE)	4
13	A-160419-G	UPPER HOSE BRACKET	2
14	A-160426	BUSHING, UPPER CYLINDER PIN	4
15	A-160484	PIN, LIFT CYLINDER UPPER	2
16	A-160485	PIN, LIFT CYLINDER LOWER	2
17	A-160498 A-160518 A-160512 A-160519	POWER UNIT-DDR-3500-PD POWER UNIT-DDR-3000-PD POWER UNIT-DDR-2500-PD POWER UNIT-DDR-2000-PD	1
18	ATU-358	1/4"-20 x 2.0" H/C/S ZP	2
19	ATU-359	1/4-20 TOP L/N GR. C ZP	2

3.6 DDR Hydraulic System Power Open/Close



Item	Part Number	Description	Qty.
1	718	1/4-20 X 1" HCS GR8 ZP	2
2	862	5/16-18 LOCKNUT	8
3	874	3/8-16 X 1" H/H C/S GR.8 ZP	2
4	2001	10-32 X 1/2" SLOTTED MACHINE HEAD C/S SS	4
5	2058	3/8 FLAT WASHER	2
6	2110	5/16" F/W ZP	2
7	2145	5/16-18 X 3/4" FLANGE BOLT, GR.8.2 ZP	2
8	6608	5/16-18 X 1" HEX BOLT	6
9	6611	5/16 SPLIT LOCKWASHER	2
10	A-130427	CYLINDER-1.5" BORE 8" STROKE (POWER OPEN/CLOSE)	1
11	A-130470	HOSE - 1/8" X 24", 04FJS-04FJS	2
12	A-130471	HOSE - 1/8" X 56", 04FJS-04FJS	2
13	A-130474	FITTING 04MJ-04MJ BULKHEAD STRAIGHT	2
14	A-130475	FITTING -04 BULKHEAD LOCKNUT	2
15	A-130479	FITTING 04MJ-04MAORB STRAIGHT	2
16	A-132011	3/8" EXT HD STAR L/W ZP	2
17	A-132071	10-32 NYLOCK NUT 316SS	4
18	A-132114	5/16-18 X 1" F/H S/C/S ZP	2
19	A-132364	3/8-16 NYLOCK NUT GR5 ZP	2
20	A-150023	5/8" EXTERNAL RING YZ HEAVY DUTY	1
21	A-160376 A-160376-G	CORD CARRIER RUNNER CHANNEL	1
22	A-160377 A-160377-G	CLOSER CYLINDER MOUNT-RUNNER SIDE	1
23	A-160381	PIN W/M - CLOSER CYLINDER UPPER	1
24	A-160421 A-160421-P	CORD CARRIER BRACKET	1
25	A-160425 A-160425-G	CORD CARRIER W/M, COLUMN	1
26	A-160427 A-160427-G	CLOSER CYLINDER MOUNT PLATE W/M	1
27	A-160432	PIN W/M - CLOSER CYLINDER LOWER	1
28	A-160499	POWER UNIT-DDR POWER OPEN/CLOSE	1
29	A-160505	CORD CARRIER ASSY KIT - 33 LINKS	1
30	ATU-159	3/8-16 X 1-1/2" CARRIAGE BOLT GR 8 ZP	2
31	ATU-359	1/4-20 TOP L/N GR. C ZP	2

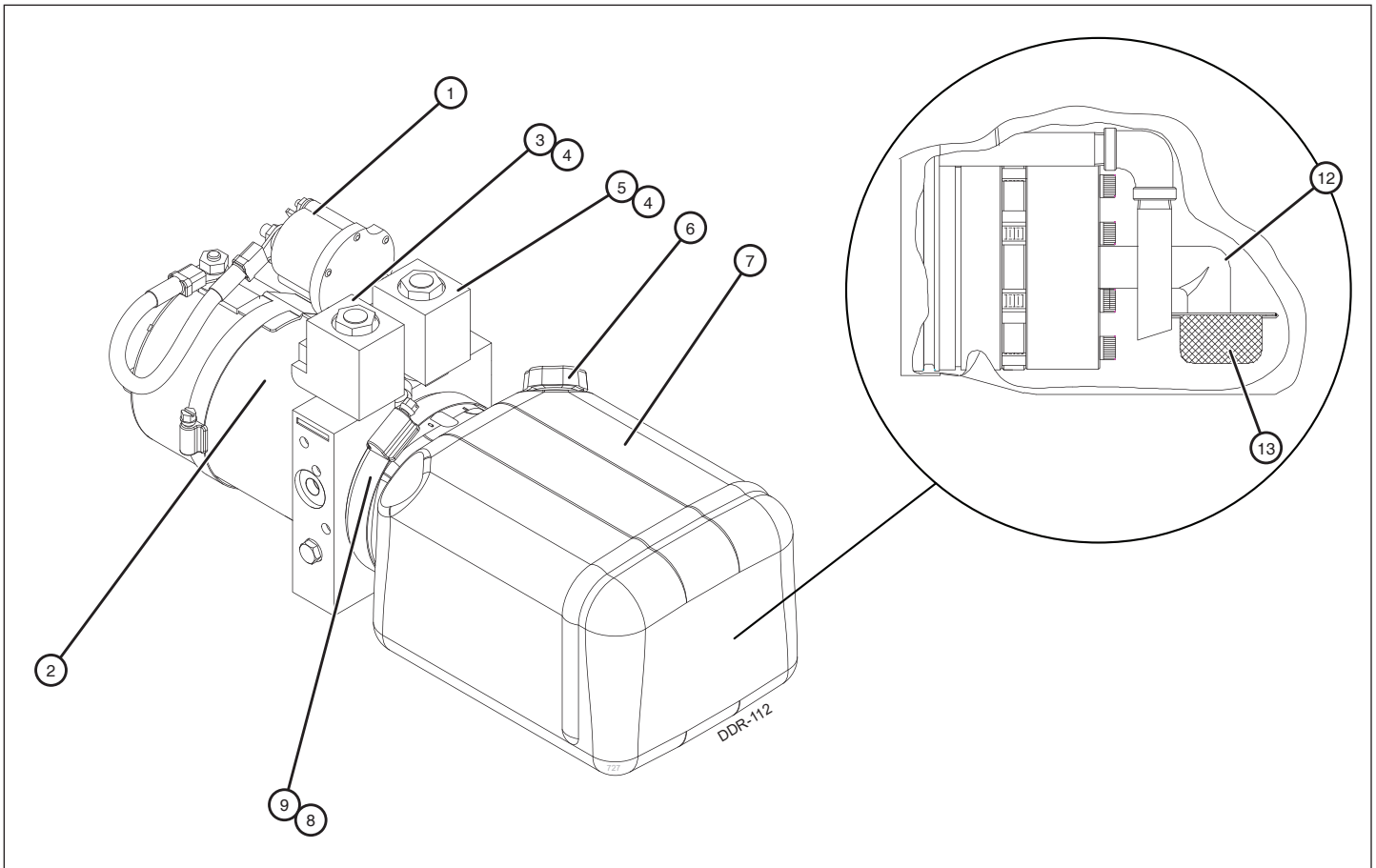
3.7 Power Unit



Item	Part Number	Description	Qty.
1	A-130088	KENDALL HYKEN GLACIAL BLU OIL	1
2	A-130102	RESTRICTOR VALVE 3 GPM	1
3	A-130117	POWER PACK-AST/GLR PD	1
4	A-130140	FITTING: 06MJ-06MORB 90DEG ELBOW	2
5	A-130141	FITTING: -06MJ-06MORB 45DEG ELBOW	1
6	A-130189	FITTING: 06MORB-06FJS Straight	1
7	A-130320	FITTING: 06MJ-06FJS SWEPT 90 ELB LONG	1
8	A-130651	FITTING: 06FORB-06FORB STRAIGHT COUPLER	1
9	A-131133	DECAL-RES. IS FILLED W/GLACIAL BLU OIL	1
10	A-133135	WIRE MARKER #3	1
11	A-133136	WIRE MARKER #4	1
12	A-133548	V-WIRE: 4" 16GA RED M-F-F	1
13	A-133550	V-WIRE: 4" 16GA GREEN M-F-F	1
14	A-150451	16-14 AWG 5/16" STUD RING TERMINAL	1
15	A-150459	16-14 GA FEMALE BAYONET CONNECTOR	2
16	A-150472	#10 CABLE CLAMP, 5/8"	1

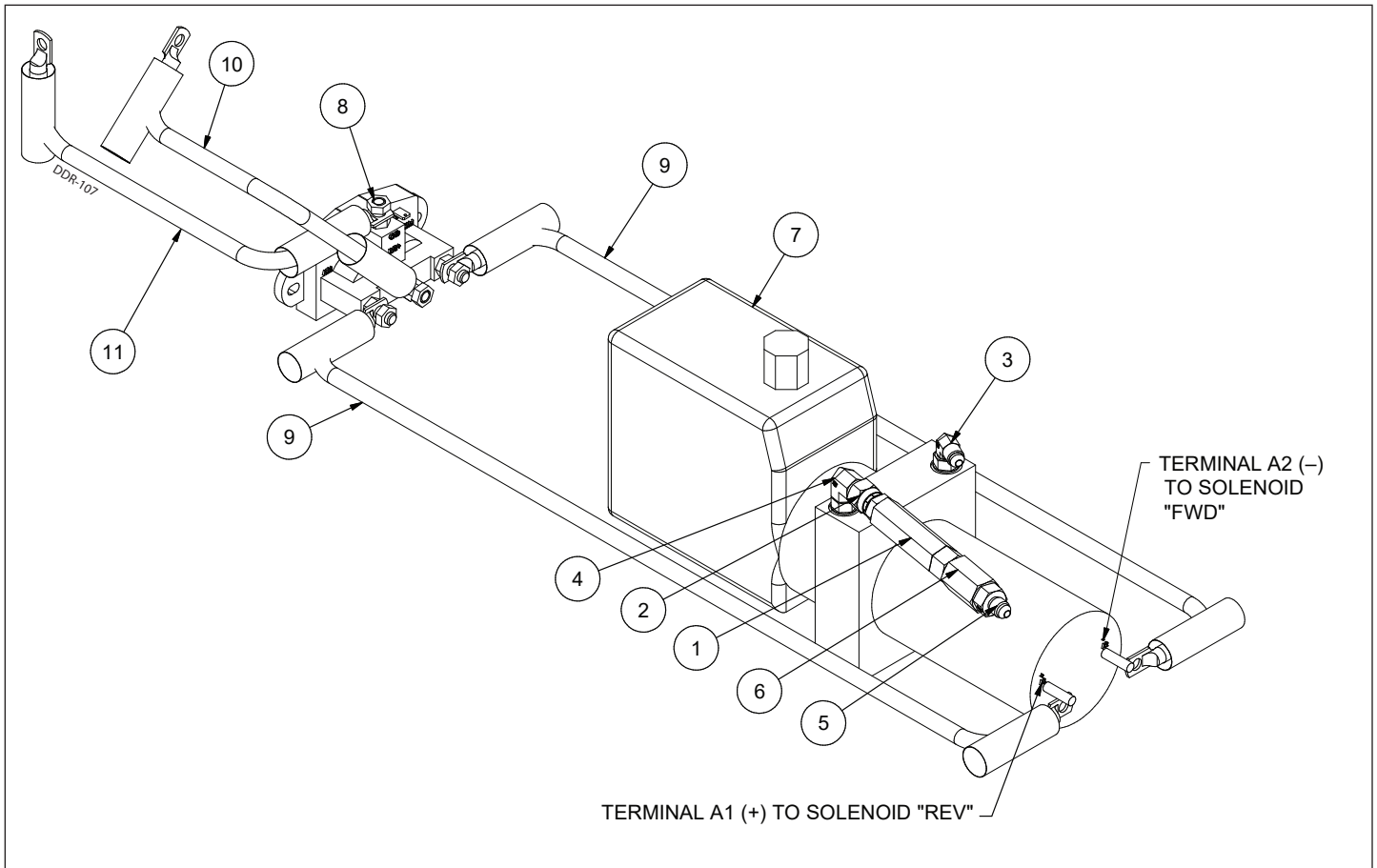
Note: These common parts (1 - 16) are used with A-160498, A-160512, A-160518, and A-160519.

3.8 A-130117 Power Pack Unit, Complete, Power Down



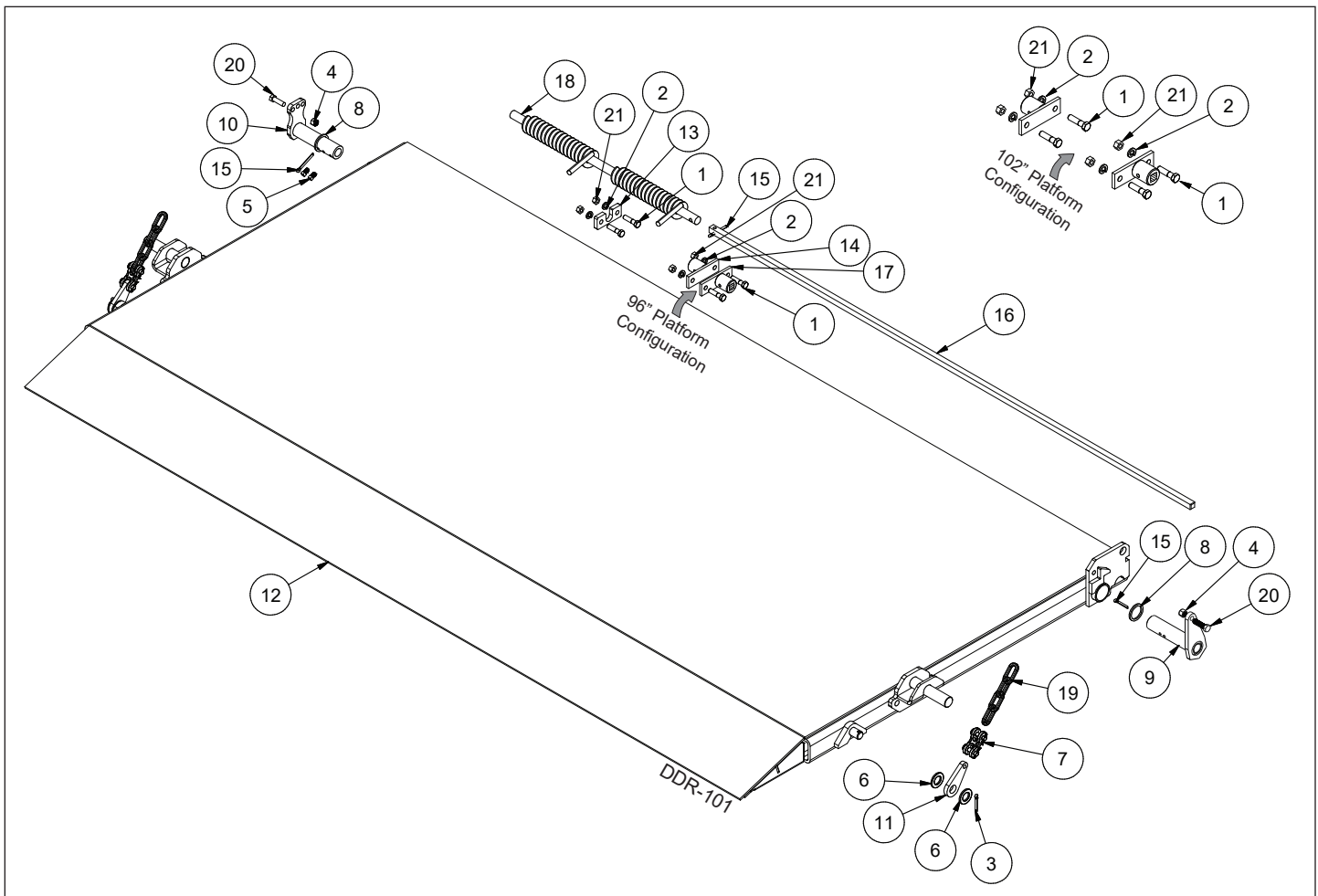
Item	Part Number	Description	Qty.
1	ATU-120	SOLENOID RELAY, MOTOR RUN, 12VDC	1
2	A-150018	MOTOR, NO THERMAL SWITCH, 12VDC	1
3	A-130216	VALVE, 12VDC COIL/CARTRIDGE COMBINATION (LOWER, SINGLE O-RING, GREEN WIRE)	1
4	A-176315	COIL ONLY, 12VDC	2
5	A-130215	VALVE, 12VDC COIL/CARTRIDGE COMBINATION (RAISE, TRIPLE O-RING, RED WIRE)	1
6	A-150546	FILLER/VENT CAP	1
7	A-150635	RESERVOIR (INCLUDES FILLER/VENT CAP)	1
8	ATU-565	RESERVOIR ATTACHMENT CLAMP	1
9	A-150019	RESERVOIR ATTACHMENT O-RING	1
12	A-150015	FILTER NIPPLE	1
13	A-150016	FILTER SCREEN	1

3.9 A-160499 Power Unit - DDR Power Open/Close



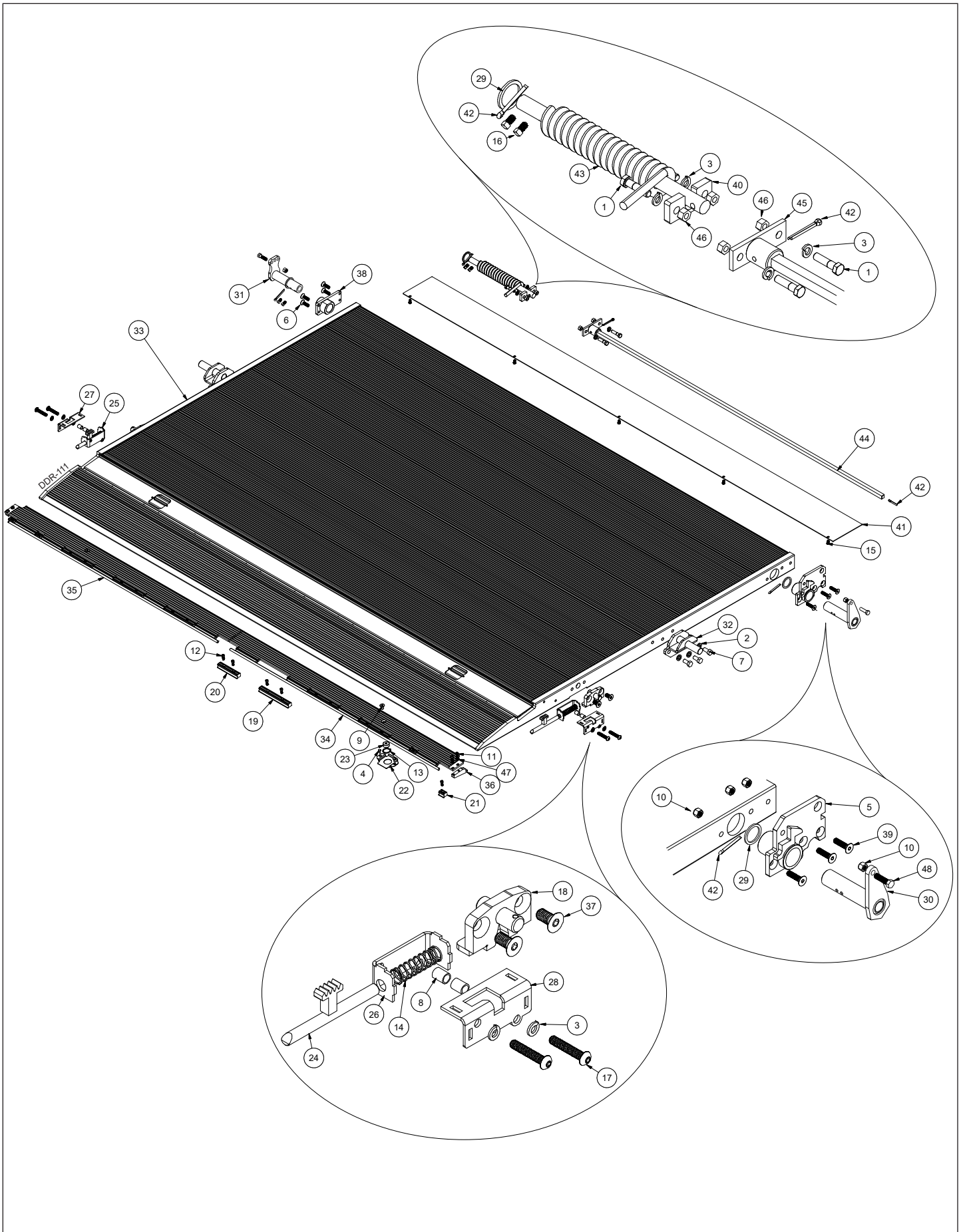
Item	Part Number	Description	Qty.
1	A-130105	RESTRICTOR VALVE 0.500 GPM	1
2	A-130189	FITTING: 06MORB-06FJS Straight	1
3	A-130476	FITTING 04MJ-04MAORB 90 ELB FORG	1
4	A-130477	FITTING 06MJ-04MAORB 90 ELB FORG	1
5	A-130478	FITTING 04MJ-06MAORB STRAIGHT	1
6	A-130651	FITTING: 06FORB-06FORB STRAIGHT COUPLER	1
7	A-130657	POWER PACK-DDR POWER OPEN/CLOSE (BI-DIR) (Pump Only -- No Serviceable Parts)	1
8	A-130658	CONTINUOUS DUTY REVERSING SOLENOID 12V DPDT	1
9	A-160500	POWER CABLE- #4-36" RED DDR O/C	2
10	A-160501	POWER CABLE- #4-12" RED DDR O/C	1
11	A-160502	GROUND CABLE- #4-12" BLACK DDR O/C	1

3.10 DDR Platform (Steel)



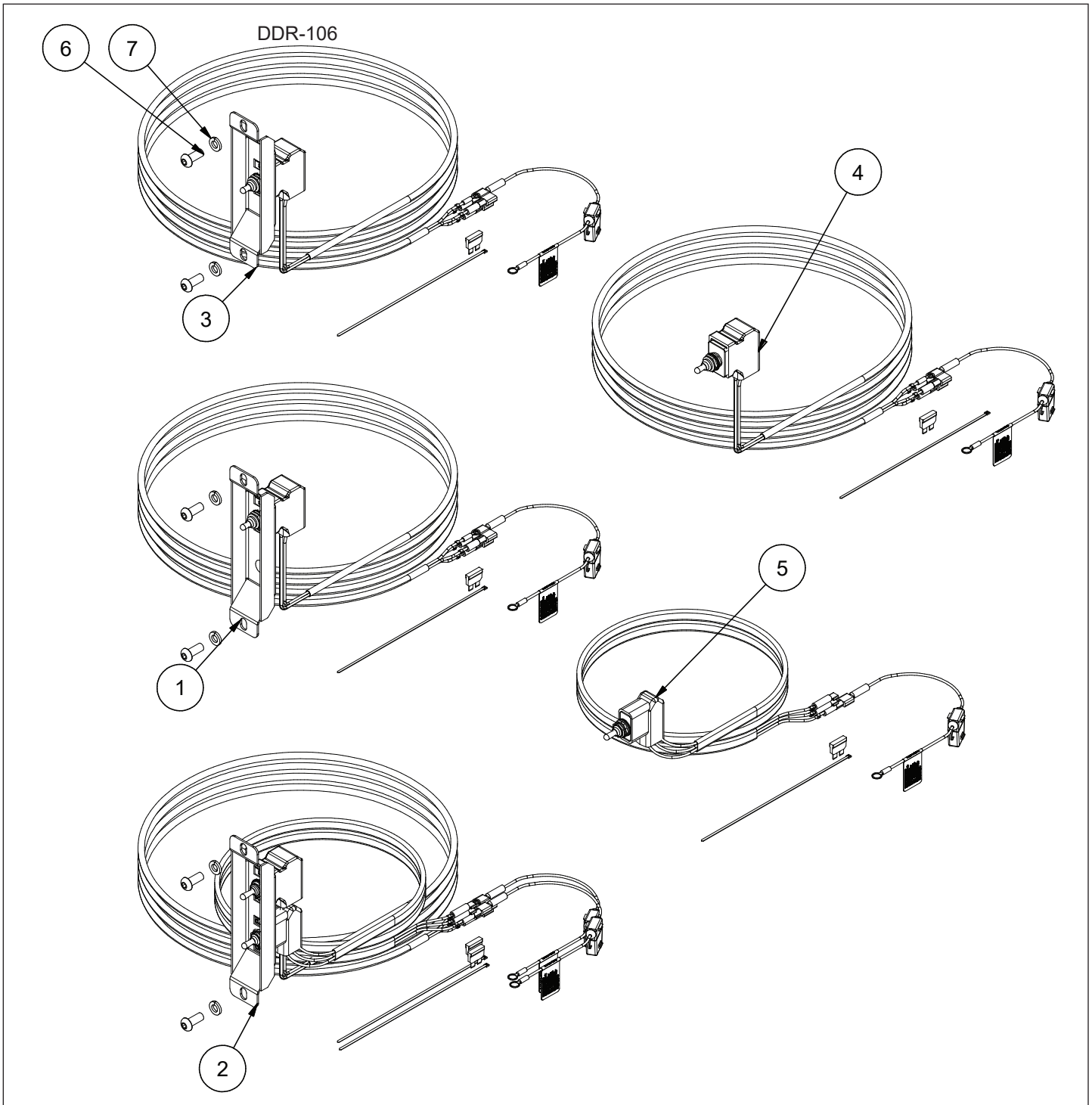
Item	Part Number	Description	Qty.
1	25	3/8-16 X 1-1/2" HCS GR8 ZP	Qty Note: 96" - 4 and 102" - 6 Note
2	2054	3/8 LOCK WASHER	Qty Note: 96" - 4 and 102" - 6 Note
3	A-132068	3/16" X 1-1/4" LG COTTER PIN ZP	2
4	A-132364	3/8-16 NYLOCK NUT GR5 ZP	2
5	A-132468	5/16-18 X 1/2" SQHD CUP POINT SET SCREW	2
6	A-132469	FLAT WASHER: 3/4" ZP (.812"IDX1.469"ODX.134"TH)	4
7	A-132484	DOUBLE CLEVIS - UP TO 5/16" CHAIN ZP	2
8	A-146210	1-5/8" OD X 1-9/32" ID X 11 GA. WASHER	2
9	AR-18-223	P/F LOBE PIN W/M - (9/16" SQUARE TORSION BAR)	1
10	A-160417	P/F LOBE PIN W/M - (COIL SPRING)	1
11	A-160441	CHAIN MOUNT PLATE	2
12	A-160461 (-G) A-160523 (-G)	P/F W/M: DDR-3500-96 90X40+8 (painted) (add -G for galvanized) P/F W/M: DDR-3500-102 96X40+8 (painted) (add -G for galvanized)	1
13	A-160476	SPRING KEEPER	1
14	A-160477	PLATFORM SPRING RETAINER W/M	1
15	AR-18-69	3/16" X 1-3/4" LG COTTER PIN ZP	3
16	AR-18-230	TORSION BAR-SPRING	1
17	AR-18-325	SPRING LOCK W/M (TORSION ROD RETAINER - A/P)	1
18	AR-18-740	DOUBLE SPRING & PIN - WELDMENT-LH	1
19	AR-18-766	1/4" BLU-KROME COIL CHAIN 46.5" LG	2
20	ATU-247	3/8-16 X 1.25" HEX BOLT	2
21	P-162	3/8-16 HEX NUT	Qty Note: 96" - 4 and 102" - 6 Note

3.11 DDR Platform (Aluminum)



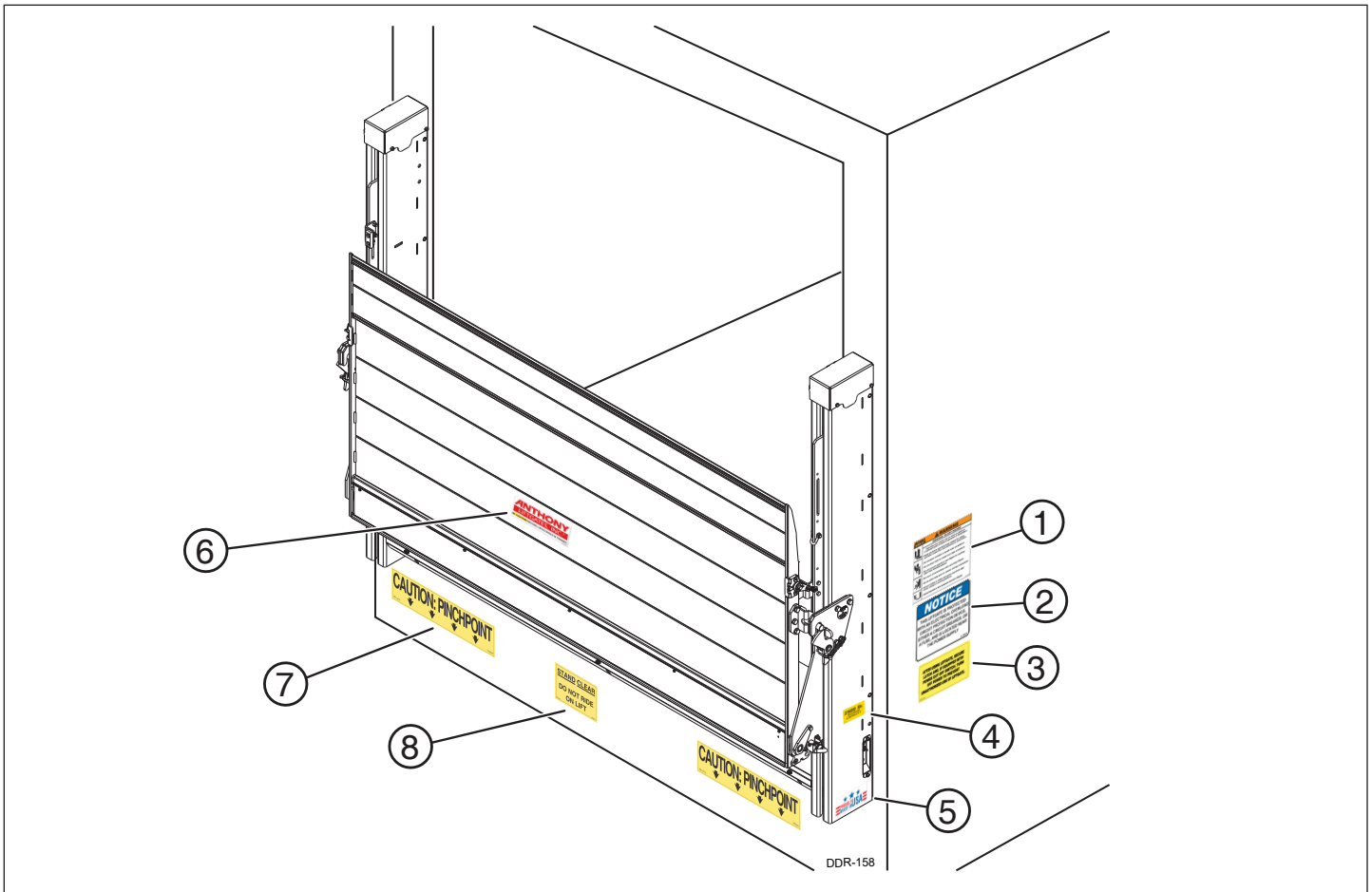
Item	Part Number	Description	Qty.
1	25	3/8-16 X 1-1/2" HCS GR8 ZP	4
2	1691	1/2" LOCK WASHER	6
3	2054	3/8 LOCK WASHER	8
4	A-132030	3/16" DIA. ALUM. RIVET, 0.126 - 0.250 GRIP	4
5	A-132045	3/8-16 X 1.5" FH S/C/S	3
6	A-132048	3/8-16 X 1.25" FH S/C/S	4
7	A-132085	1/2-13 X 1.0 GR8 HEX BOLT	6
8	A-132150	SPACER 0.375" X 0.625" LG.	4
9	A-132350	5/16-18 x 5/8" FH S/C/S ZP	2
10	A-132364	3/8-16 NYLOCK NUT GR5 ZP	3
11	A-132384	1/4-20 X 3/4 BH S/C/S ZP	4
12	A-132385	1/4-20 X 5/8" S/C/S ZP	18
13	A-132392	CONICAL COMPRESSION SPRING 2.25"-1.125" OD X 3" LG	2
14	A-132393	COMPRESSION SPRING 0.72" OD X 2.5" LG 9.9#/IN.	2
15	A-132440	10-32 X .5" HEX HEAD SELF-TAPPING SCREW	5
16	A-132468	5/16-18 X 1/2" SQHD CUP POINT SET SCREW	2
17	A-132470	3/8-16 x 2" BNHD S/C/S ZP	4
18	A-132472	1/2-13 X 1" F/H S/C/S GR8 ZP	4
19	A-141280	AE CS LOCK M6"	6
20	A-141281	AE CS LOCK M4"	1
21	A-141282	AE CS LOCK M1.005"	4
22	A-141299	SPRING MOUNT BASE - CART STOP	2
23	A-141300	SPRING MOUNT PLUG - CARTSTOP	2
24	A-141302	LATCH PIN W/M	2
25	A-141309	LATCH MOUNT CHANNEL - LH	1
26	A-141310	LATCH MOUNT CHANNEL - RH	1
27	A-141311	LATCH MOUNT COVER - LH	1
28	A-141312	LATCH MOUNT COVER - RH	1
29	A-146210	1-5/8" OD X 1-9/32" ID X 11 GA. WASHER	2
30	AR-18-223	P/F LOBE PIN W/M - (9/16" SQUARE TORSION BAR)	1
31	A-160417	P/F LOBE PIN W/M - (COIL SPRING)	1
32	A-160433-G	LATCH PIN W/M - FOR A/P	2
33	A-160447	A/P W/M 90X53+12F W/CS (2500-96)	1
34	A-160449	AE CS FLIPPER H&R M46" RH	1
35	A-160450	AE CS FLIPPER H&R M46" LH	1
36	A-160453	LATCH CATCH (DDR C/S)	2
37	A-160454	CHAIN ANCHOR W/M - A/P	2
38	A-160458	HINGE PLATE W/M - LH	1
39	A-160459	HINGE PLATE W/M - RH	1
40	A-160476	SPRING KEEPER	1
41	A-160495	CHANNEL COVER A/P - 96" WIDE	1
42	AR-18-69	3/16" X 1-3/4" LG COTTER PIN ZP	3
43	AR-18-125	ASSIST SPRING & PIN ASSY - LH	1
44	AR-18-230	TORSION BAR-SPRING	1
45	AR-18-325	SPRING LOCK W/M (TORSION ROD RETAINER - A/P)	1
46	P-162	3/8-16 HEX NUT	4
47	S-016001	1/4" MEDIUM SPLIT LOCK WASHER	4
48	ATU-247	3/8-16 X 1.25" HEX BOLT	1

3.12 DDR Switches



Item	Part Number	Description	Qty.
1	A-133690	SWITCH ASSY-DDR COL. CTRL PD	1
2	A-133691	SWITCH ASSY-DDR COL. CTRL PD/PC	
3	A-133692	SWITCH ASSY-DDR COL. CTRL INNER	1
4	A-133582	PD ATU SWITCH ASSY, NO BOX (M-SPADES)	Repair
5	A-133695	SWITCH ASSY-DDR POWER OPEN/CLOSE	Repair
6	A-132031	5/16-18 X 3/4" BNHD S/C/S, 18-8 SS	4
7	A-132378	5/16 SPLIT LOCKWASHER, 18-8 SS	4

3.13 DDR Decals







Item	Part Number	Description
1	A-131115	Warning, Personal Injury
2	A-150238	Notice - Protected With Electrical Overload Circuit Breaker
3	ATU-141	After Using Liftgate
4	A-131061 A-131062 ATU-177	2500 Lb. Maximum Capacity 3000 Lb. Maximum Capacity 3500 Lb. Maximum Capacity
5	A-150601	Made In The USA
6	A-131034	Anthony Label
7	AR-18-76	Caution: Pinch Point
8	ATU-146	Stand Clear - Do Not Ride
9	A-131001	10 Amp Fuse Changing Procedure (attached to control wiring in pump box)
10	A-131028	Weld Warning (mounted inside pump housing)
11	A-131133	Hydraulic Fluid (mounted on hydraulic reservoir)
12	A-131125	Warning, Galvanized Fumes Hazard (galvanized models only)

1.

ANTHONY
LIFTGATES, INC.
⚠ WARNING

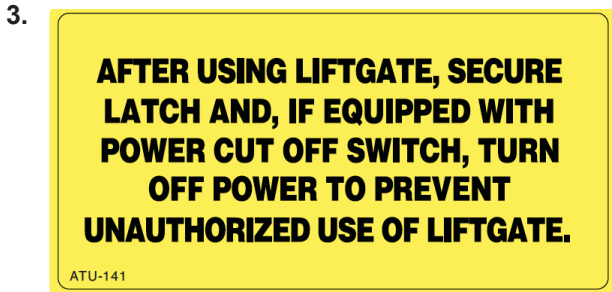
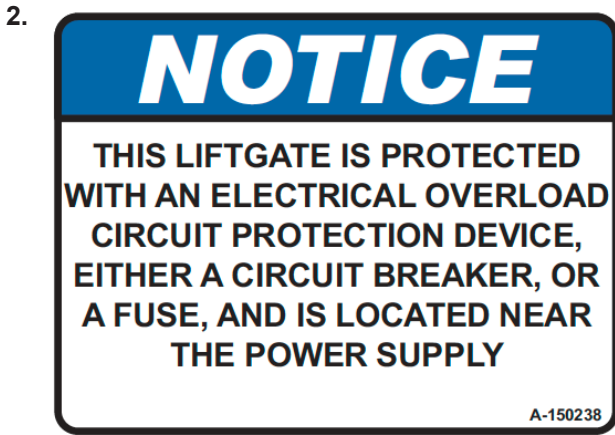
PERSONAL INJURY HAZARD

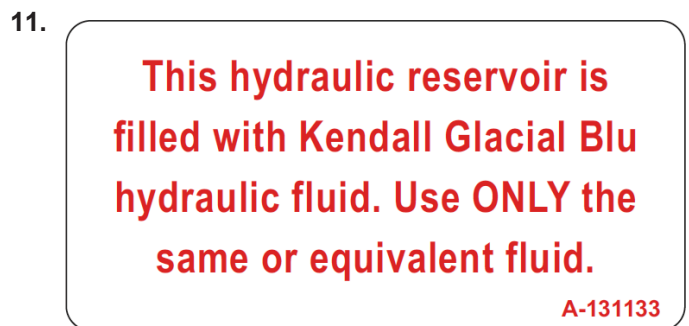
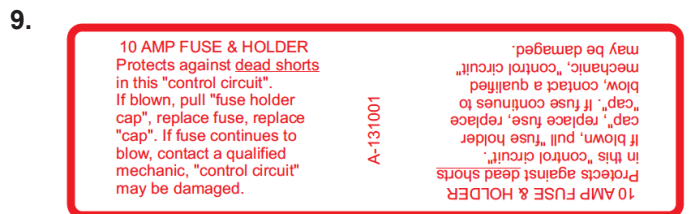
Operation may require user to stand on platform. To prevent injury or death of operators or bystanders:

- Read and follow operator/owner manual for safety, operation, inspection, and maintenance instructions.
- Do not place unstable or unsafe loads on platform.
- Do not allow loads to extend over edge of platform.
- Do not exceed capacity or use liftgate for anything other than intended purpose.
- Be aware of surroundings when operating liftgate.
- Do not allow body parts to contact moving components.
- Ensure footing is stable and stand away from edge before raising or lowering platform.
- Owner/operators must properly maintain liftgate.

A-131115



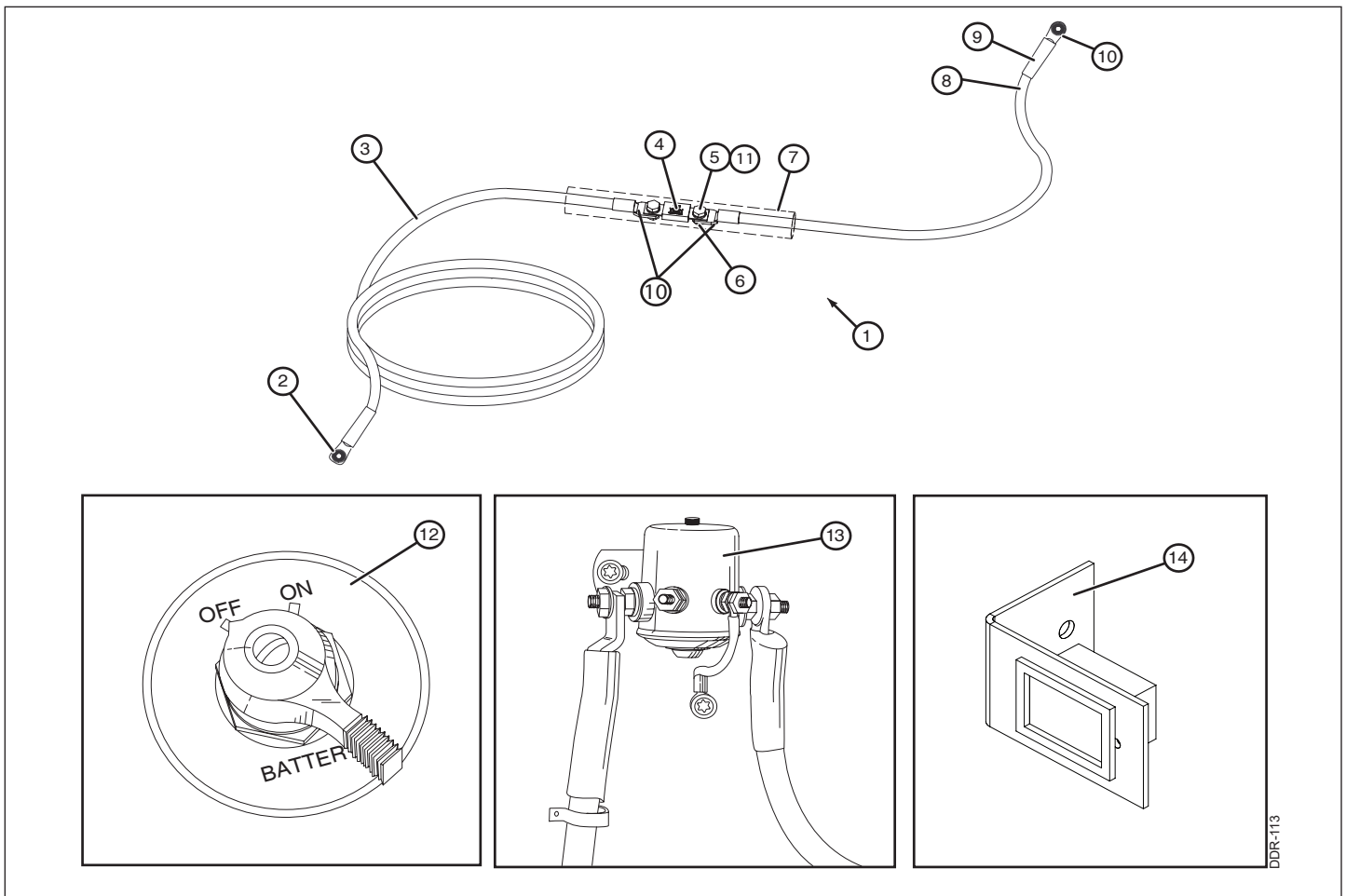
CAUTION Make sure the proper "MAXIMUM CAPACITY" decal is placed on the truck for the appropriate lifting capacity of the liftgate being installed. Do not put a higher-rated decal on a liftgate with a lower capacity; this could result in liftgate damage or possibly personal injury.



Note: This oil recommendation is used only for the power open/close hydraulic circuit.



3.14 DDR Wiring And Miscellaneous Accessories



Item	Part Number	Description	Qty.
1	A-133604	36' 2/0 POWER CABLE W/FUSE ASSY. 175 AMP	1
2	A-133003	3/8" ANTI-ROTATIONAL LUG	1
3	A-150608-010	2/0 CABLE	1
4	A-133603	HI-AMP FUSE, 175A	1
5	5435	5/16-18 X .75" HEX BOLT	2
6	4614	5/16-18 FINISHED H/N ZP	2
7	A-133606	HEAT SHRINK (8")	1
8	A-150608-420	2/0 CABLE	1
9	A-150990	HEAT SHRINK (2.5")	2
10	A-133605	5/16" ANTI-ROTATIONAL LUG - #4 CABLE	3
11	6611	5/16 SPLIT LOCKWASHER	2
12	A-133038 A-150031	CUT-OFF SWITCH KIT-MANUALLY OPERATING SWITCH, CUT-OFF - MANUALLY OPERATING	1
13	A-133036 A-150263	SWITCH, CUT-OFF - SOLENOID KIT CUT-OFF SOLENOID	1
14	A-133354	CYCLE COUNTER KIT	1



ANTHONY
LIFTGATES, INC.®

1037 West HOWARD ST.
P.O. BOX 615
PONTIAC, IL 61764-0615
PH: 815-842-3383
FAX: 815-844-3612
TOLL FREE: 800-482-0003
WWW.ANTHONYLIFTGATES.COM

THE ORIGINAL NAME IN LIFTGATES - SINCE 1941

Form No. L-205-PM (10-24)