

ANTHONY
LIFTGATES, INC.®

SM



TUCKUNDER™ SERIES

LIFTING CAPACITIES (LBS): 1800, 2500, 3000



KEY ADVANTAGES

- 1. HD Mechanical Safety Latch**
Redundant-system stowage in addition to hydraulic lock.
- 2. Spring Assist Platform**
Torsion spring provides effortless platform operation.
- 3. EZ Mount**
Ships factory assembled, filled, and tested.
- 4. CHS - Centralized Hydraulic System**
All sensitive hydraulic and electrical components housed safely within the stainless steel pump box.
- 5. Lifetime-Warranty Service Free Bushings**
Used at all critical pivot points to reduce wear without the need for routine lubrication.

QUALITY, RELIABILITY, CUSTOMER SERVICE

MADE IN THE USA 

STANDARD FEATURES

- **Circuit Protection**
200 Amp fuse protects truck wiring from a "dead short".
- **Marine Duty Potted Toggle Switch**
Heavy duty toggle, potted to permanently separate and seal electrical connections from corrosion.
- **3/16" Steel Floor Extension**
Rugged and attractive surface.
- **Industry-Leading Warranty**
2 years mechanical + 2 years electrical & hydraulic, parts and labor.
- **Pressure Compensated Flow Valve**
Constant, controlled speeds at all times. Prevents "free-fall" under certain hydraulic failures.
- **Anthony 3-Step Powder Coat**
Steel components are washed, shot blast prepped, and coated with premium finish.

QUALITY COMES STANDARD

AVAILABLE MODELS, PLATFORMS, CAPACITIES

Model	SM-1800	SM-2500	SM-3000
Capacity (lbs)	1800	2500	3000
Bed Height Range	42" - 57"		
Available Platforms (Load Depth + Ramp)			
Steel 48" x 34" + 7" Ramped Steel 72" x 38" + 5" Ramped			

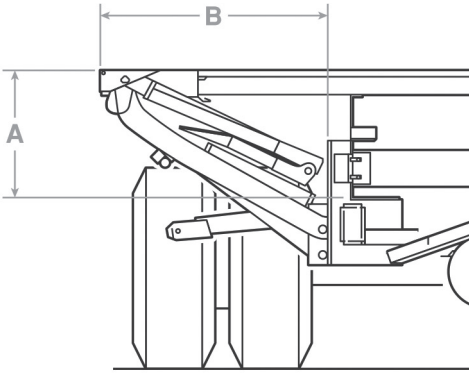
OPTIONS

- Power down
- Wireless, removable handheld corded, flush mount, or dual control options.
- Stainless steel toggle switch guard
- Galvanized finish with extended warranty
- Cab or ignition cutoff switch

SM MOUNTING REQUIREMENTS

Floor Ht.	A	B
42" - 49"	19"	29 5/8"
50" - 51"	20"	28 3/4"
52" - 53"	21"	28"
54"	22"	27"

Maximum stack height 21"



Anthony Liftgates, Inc.

1037 W. Howard Street
P.O. Box 615
Pontiac, IL 61764-0615

Phone: 815.842.3383

Fax: 815.844.3612

Toll Free: 800.482.0003

www.anthonyliftgates.com