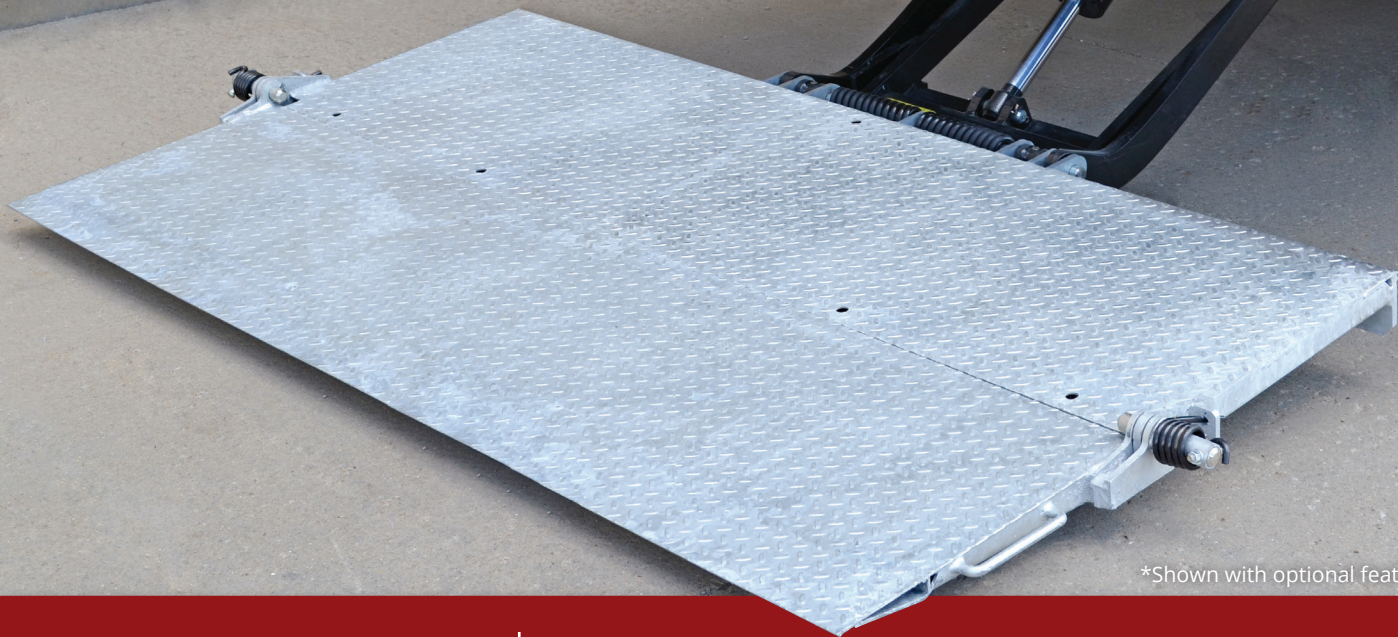


ANTHONY
LIFTGATES, INC.®

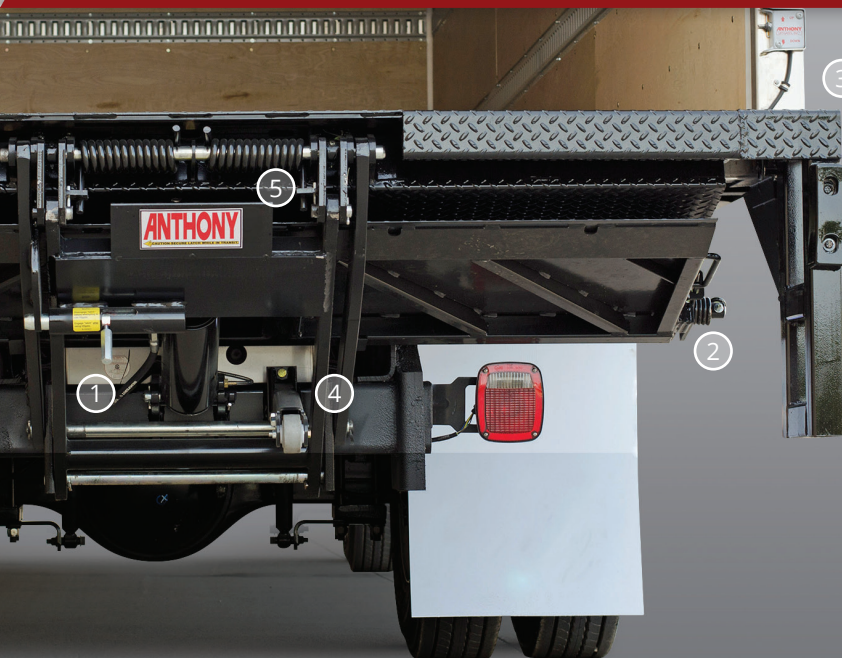
ATU



*Shown with optional features.

TUCKUNDER™ SERIES

LIFTING CAPACITIES (LBS):
1800, 2500, 3000, 3500



KEY ADVANTAGES

- 1. HD Mechanical Safety Latch**
Redundant-system stowage in addition to hydraulic lock.
- 2. Spring Assist Platform**
Dual torsion springs provide effortless platform operation.
- 3. EZ Mount**
Ships factory assembled, filled, and tested with notched center mark for easy installation. Floor extension may be bolted to the truck.
- 4. CHS - Centralized Hydraulic System**
All sensitive hydraulic and electrical components housed safely within the stainless steel pump box.
- 5. Lifetime-Warranty Service Free Bushings**
Used at all critical pivot points to reduce wear without the need for routine lubrication.

QUALITY, RELIABILITY, CUSTOMER SERVICE

MADE IN THE USA 

STANDARD FEATURES

- **Adapter Frame Warranty**
Adapter frame lifetime warranty against rotational wear.
- **Max Duty Dock Bumpers**
Helps protect floor extension from contact with dock. Includes rubber bumpers.
- **Circuit Protection**
200 Amp fuse protects truck wiring from a "dead short".
- **Marine Duty Potted Toggle Switch**
Heavy duty toggle, potted to permanently separate and seal electrical connections from corrosion.
- **3/16" Steel Floor Extension**
Rugged and attractive surface.
- **Industry-Leading Warranty**
3 years mechanical + 3 years electrical & hydraulic, parts and labor.
- **Pressure Compensated Flow Valve**
Constant, controlled speeds at all times. Prevents "free-fall" under certain hydraulic failures.
- **Anthony 3-Step Powder Coat**
Steel components are washed, shot blast prepped, and coated with premium finish.

QUALITY COMES STANDARD

AVAILABLE MODELS, PLATFORMS AND CAPACITIES

| Model | ATU-1800 | ATU-2500 | ATU-3000 | ATU-3500 |
|---|-----------|---------------------------|----------|----------|
| Capacity (lbs) | 1800 | 2500 | 3000 | 3500 |
| Bed Height Range | 42" - 57" | | | |
| Available Platforms | | | | |
| Steel 80" x 45" + 5" Ramped (standard) | | Steel 80" x 50" Wedge* | | |
| Aluminum 80" x 45" + 6" Ramped | | Aluminum 80" x 50" Wedge* | | |
| Steel 80" x 48" + 12" Aluminum Retention Ramp | | | | |

| Model | ATULB-1800 | ATULB-2500 |
|----------------------------------|--------------------------|------------|
| Capacity (lbs) | 1800 | 2500 |
| Bed Height Range | 36" - 44" | |
| Available Platforms | | |
| Steel 80" x 44" Wedge (standard) | Aluminum 80" x 44" Wedge | |

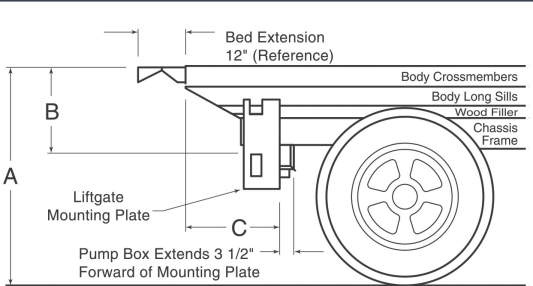
OPTIONS

- Cart stops
- Power down
- Alternate floor extensions: 3/16", 1/4", or 3/8" steel. 96" or 102" Wide.
- Wireless, removable handheld corded, flush mount, or dual control options.
- Stainless steel toggle switch guard
- Third step add-on for dock bumper
- Galvanized finish with extended warranty
- ICC Bumper
- Cab or ignition cutoff switch
- 5 & 12 ton pintle hook / ball hitch brackets
- Walkramp capability
- Battery box

*Cart stops available. 39" load area when deployed. Maximum capacity 3000 lbs on aluminum platforms.

TRUCK MOUNTING REQUIREMENTS

| A | B | C |
|------------|-----------------------------|----------------|
| Bed Height | Bed to top of Tube Assembly | Mounting Plate |
| 36" - 41" | 15 3/4" | 29" |
| 42" - 49" | 19" | 24 1/4" |
| 50" - 51" | 20" | 23 3/4" |
| 52" - 53" | 21" | 23 1/4" |
| 54" - 55" | 22" | 22 5/8" |
| 56" - 57" | 23" | 22 1/2" |



The diagram illustrates the truck mounting requirements with dimensions A, B, and C. Dimension A is the total height from the liftgate mounting plate to the top of the bed extension. Dimension B is the height from the liftgate mounting plate to the top of the tube assembly. Dimension C is the distance from the liftgate mounting plate to the front of the pump box. The diagram also labels truck components: Bed Extension (12" Reference), Body Crossmembers, Body Long Sills, Wood Filler, Chassis, and Frame. A note indicates the Pump Box Extends 3 1/2" Forward of Mounting Plate.

Anthony Liftgates, Inc.

1037 W. Howard Street
P.O. Box 615
Pontiac, IL 61764-0615

Phone: 815.842.3383

Fax: 815.844.3612

Toll Free: 800.482.0003

www.anthonyliftgates.com